

## Simbologia

Per una lettura rapida e razionale sono stati impiegati simboli che evidenziano situazioni di massima attenzione, consigli pratici o semplici informazioni. Prestare molta attenzione al significato dei simboli, in quanto la loro funzione è quella di non dovere ripetere concetti tecnici o avvertenze di sicurezza. Sono da considerare, quindi, dei veri e propri "promemoria". Consultare questa pagina ogni volta che sorgessero dubbi sul loro significato.



### Attenzione

La non osservanza delle istruzioni riportate può creare una situazione di pericolo e causare gravi lesioni personali e anche la morte.



### Importante

Indica la possibilità di arrecare danno al veicolo e/o ai suoi componenti se le istruzioni riportate non vengono eseguite.



### Note

Fornisce utili informazioni sull'operazione in corso.

## Riferimenti

I particolari evidenziati in grigio e riferimento numerico (Es. ①) rappresentano l'accessorio da installare e gli eventuali componenti di montaggio forniti a kit.

I particolari con riferimento alfabetico (Es. Ⓐ) rappresentano i componenti originali presenti sul motoveicolo.

Tutte le indicazioni destro o sinistro si riferiscono al senso di marcia del motociclo.

## Avvertenze generali



### Attenzione

Le operazioni riportate nelle pagine seguenti devono essere eseguite da un tecnico specializzato o da un'officina autorizzata Ducati.



### Attenzione

Le operazioni riportate nelle pagine seguenti se non eseguite a regola d'arte possono pregiudicare la sicurezza del pilota.



### Note

Documentazione necessaria per eseguire il montaggio del Kit è il Manuale Officina, relativo al modello di moto in vostro possesso.



### Note

Nel caso fosse necessaria la sostituzione di un componente del kit consultare la tavola ricambi allegata.

## Symbols

To allow quick and easy consultation, this manual uses graphic symbols to highlight situations in which maximum care is required, as well as practical advice or information. Pay attention to the meaning of the symbols since they serve to avoid repeating technical concepts or safety warnings throughout the text. The symbols should therefore be seen as real reminders. Please refer to this page whenever in doubt as to their meaning.



### Warning

Failure to follow these instructions might give rise to a dangerous situation and provoke severe personal injuries or even death.



### Caution

Failure to follow these instructions might cause damages to the vehicle and/or its components.



### Notes

Useful information on the procedure being described.

## References

Parts highlighted in grey and with a numeric reference (Example ①) are the accessory to be installed and any assembly components supplied with the kit.

Parts with an alphabetic reference (Example Ⓐ) are the original components fitted on the vehicle.

Any right- or left-hand indication refers to the vehicle direction of travel.

## General notes



### Warning

Carefully perform the operations on the following pages since they might negatively affect rider safety.



### Warning

Carefully perform the operations on the following pages since they might negatively affect rider safety.



### Notes

The following documents are necessary for assembling the Kit: Workshop Manual of your bike model.



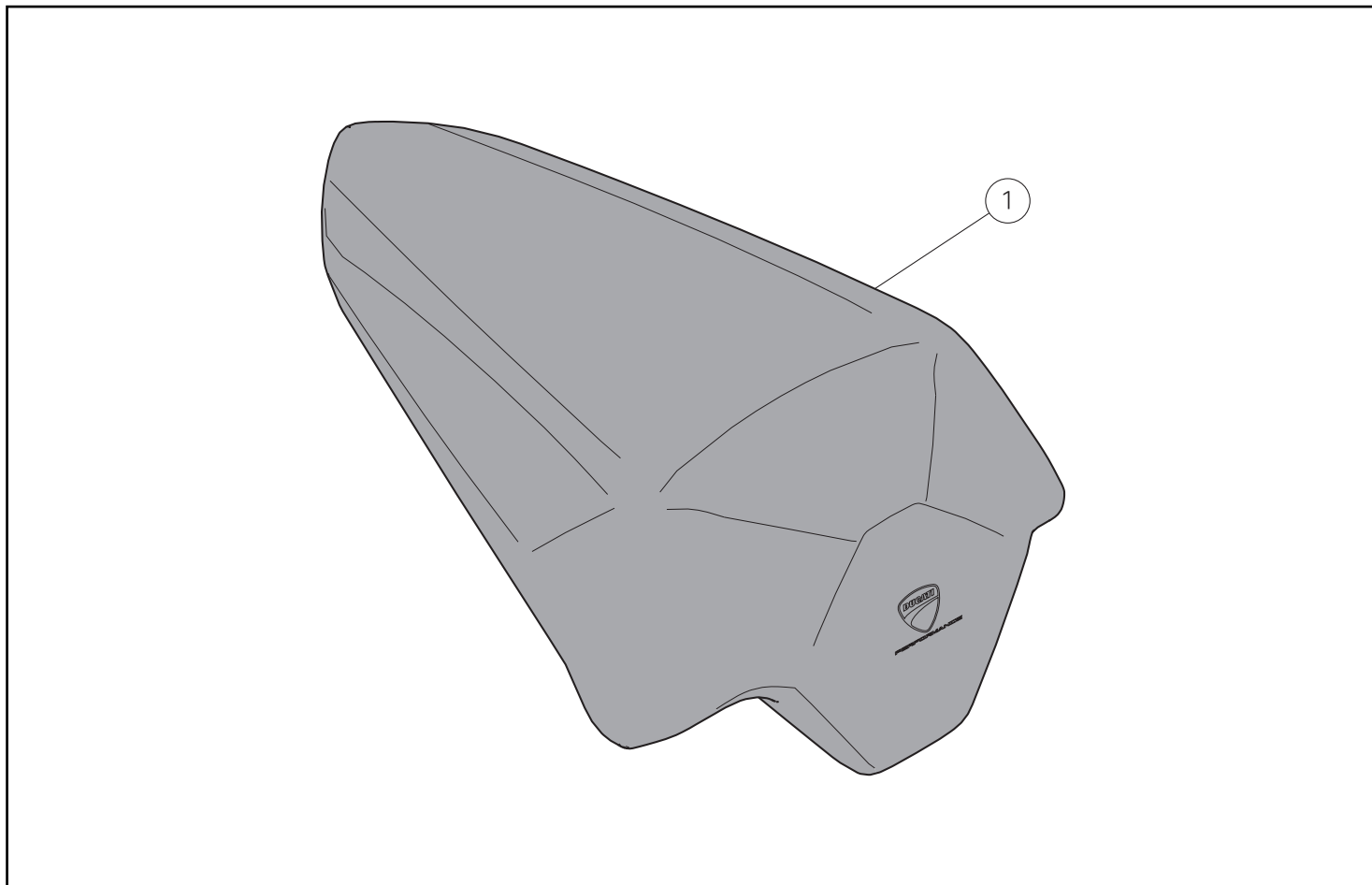
### Notes

Should it be necessary to change any kit parts, please refer to the attached spare part table.



### Warning

Operating, servicing and maintaining a passenger vehicle or off-highway motor vehicle can expose you to chemicals including engine exhaust, carbon monoxide, phthalates, and lead, which are known to the State of California to cause cancer and birth defects or other reproductive harm. To minimize exposure, avoid breathing exhaust, do not idle the engine except as necessary, service your vehicle in a well-ventilated area and wear gloves or wash your hands frequently when servicing your vehicle. For more information go to [www.P65Warnings.ca.gov/passenger-vehicle](http://www.P65Warnings.ca.gov/passenger-vehicle).



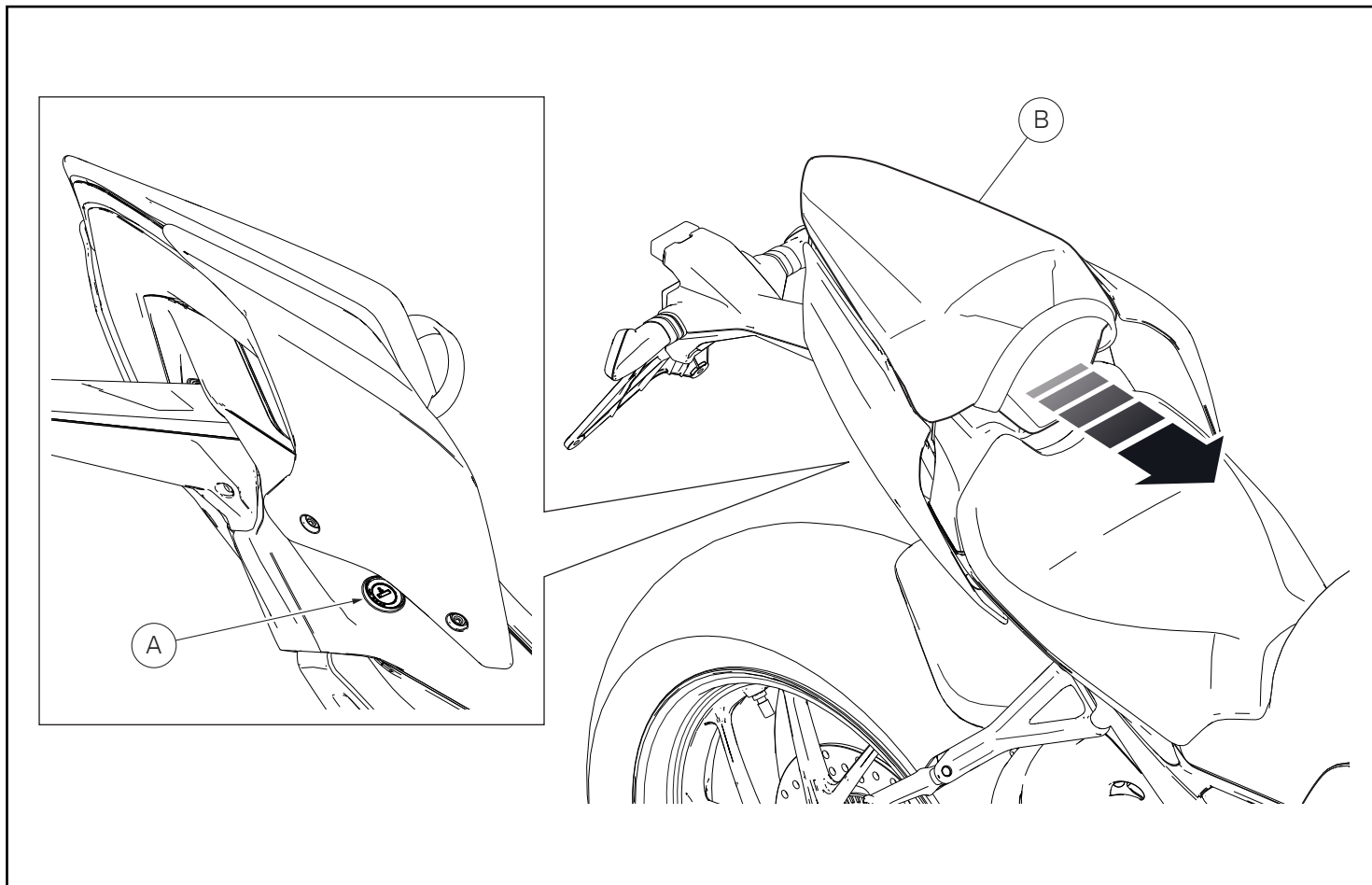
**Importante**

I componenti del kit possono essere soggetti ad aggiornamenti; consultare il DCS (Dealer Communication System) per avere informazioni sempre aggiornate.

**Important**

The parts of the kit can be updated; for information always up to date, please refer to DCS (Dealer Communication System).

Pos.	Denominazione	Description
1	Sella passeggero	Passenger seat



### Smontaggio componenti originali

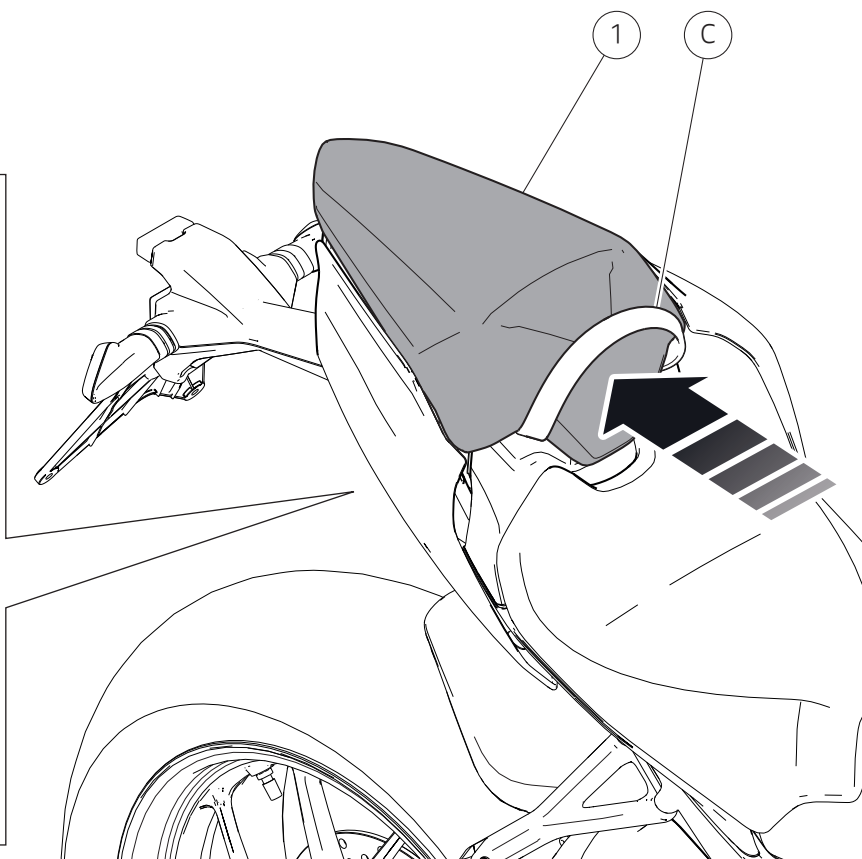
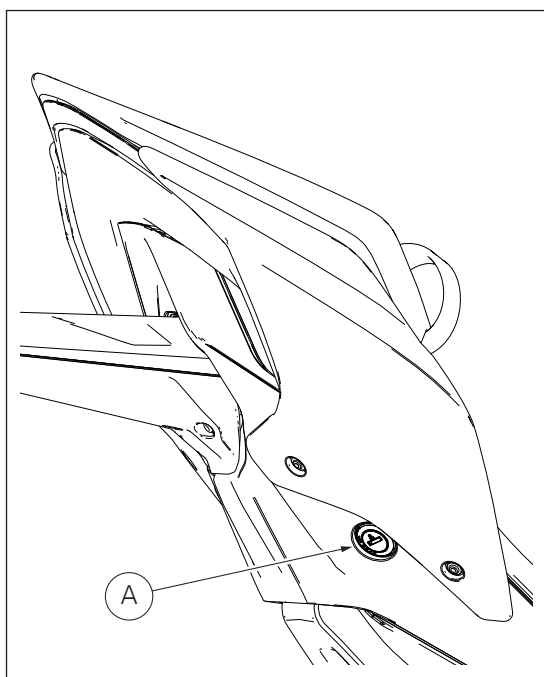
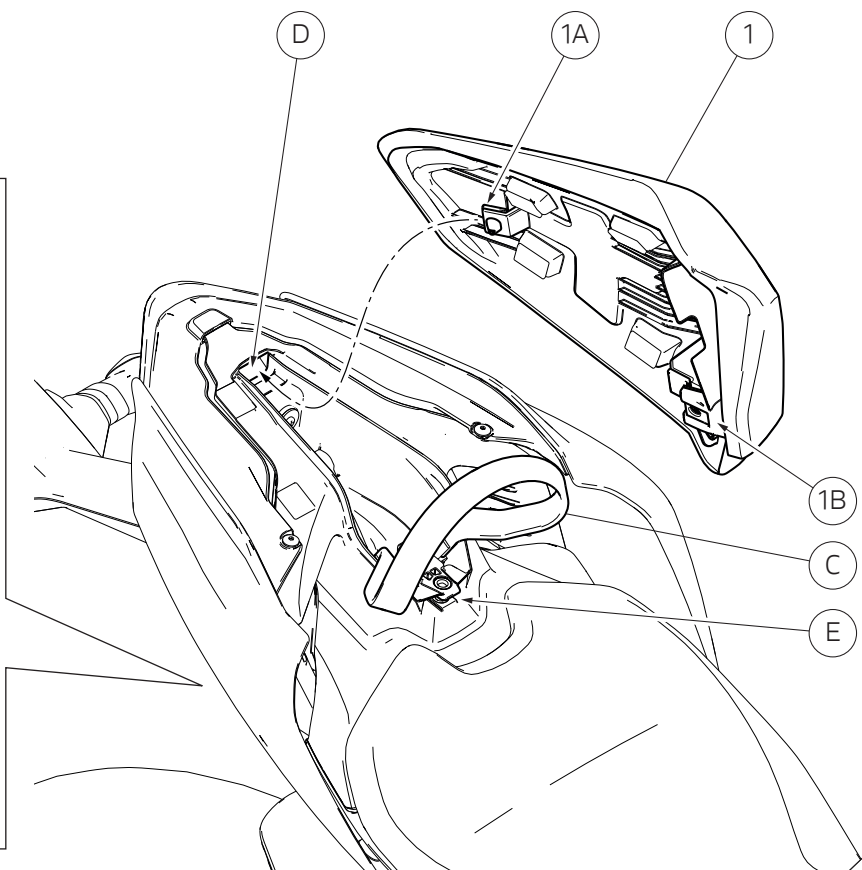
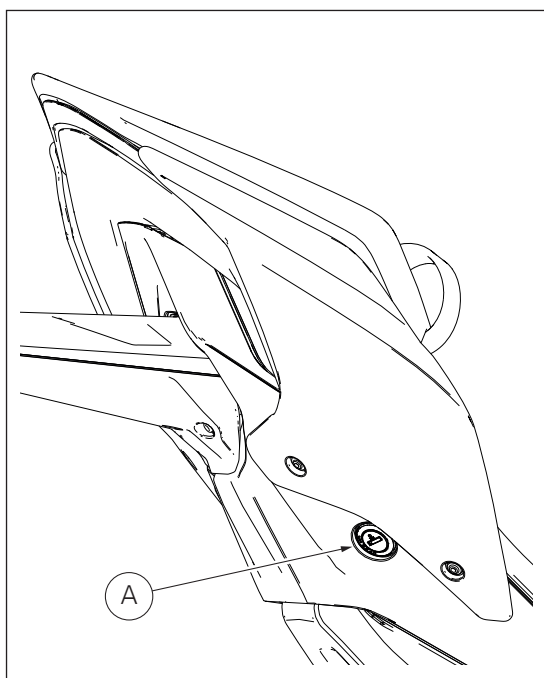
#### Smontaggio sella passeggero

Inserire la chiave nella serratura (A) e ruotarla fino a sentire lo scatto di sgancio della sella passeggero (B). Sfilare la sella passeggero (B) verso la parte anteriore del motociclo fino a liberarla.

### Removing the original components

#### Removing the passenger seat

Insert the key into the seat lock (A) and turn it until the passenger seat catch (B) disengages with an audible click. Slide out the passenger seat (B) towards motorcycle front end until removing it.



## Montaggio componenti kit

### **Importante**

Verificare, prima del montaggio, che tutti i componenti risultino puliti e in perfetto stato. Adottare tutte le precauzioni necessarie per evitare di danneggiare qualsiasi parte nella quale ci si trova ad operare.

### Montaggio sella passeggero

Assicurarsi che la cinghia passeggero (C) risulti correttamente posizionata al di fuori della vasca portaoggetti. Montare la sella passeggero (1), inserendone la staffa (1A) all'interno dell'apertura (D) della vasca portaoggetti. Ruotare la serratura (A) e traslare la sella passeggero (1) verso il posteriore, portando la staffa (1B) in corrispondenza del chiavistello (E). Rilasciare la serratura (A). Assicurarsi che la sella passeggero (1) sia saldamente fissata al motoveicolo e rimuovere la chiave dalla serratura (A).

### **Attenzione**

È assolutamente vietato lavare la sella con detergenti aggressivi, solventi o idropulitrice che la danneggerebbero irrimediabilmente.

### **Attenzione**

È assolutamente vietato strisciare energicamente la superficie esterna della sella con strumenti abrasivi che la danneggerebbero irrimediabilmente.

## Assembling the kit components

### **Important**

Before assembling, check that all parts are clean and in good conditions. Adopt all necessary precautions to avoid damaging any part you are working on.

### Assembling the passenger seat

Make sure that the passenger seat strap (C) is correctly positioned outside the glove compartment. Fit the passenger seat (1) by inserting bracket (1A) inside opening (D) of the glove compartment. Turn the lock (A) and move the passenger seat (1) towards the rear end, bringing the bracket (1B) near the latch (E). Release the lock (A). Make sure that the passenger seat (1) is firmly secured to the motorcycle and remove the key from the lock (A).

### **Warning**

It is strictly forbidden to wash the seat with aggressive detergents, solvents or with a power jet cleaner that would irreparably damage it.

### **Warning**

It is strictly forbidden to rub the external surface of the seat with abrasive tools that would irreparably damage it.



## Kit selle confort passager - 96880601A

### Kit Beifahrersitzbank Comfort - 96880601A

## Symboles

Pour faciliter la consultation de ce manuel, des symboles signalent des situations exigeant le maximum d'attention, des conseils pratiques ou de simples informations. Lire attentivement la signification de ces symboles car ils renvoient à des concepts techniques ou des consignes de sécurité de la plus grande importance. Ils doivent être considérés comme de véritables « aide-mémoire ». Toujours consulter cette page en cas de doute concernant leur signification.



### Attention

La non-observance des instructions reportées ci-dessous peut créer une situation dangereuse et provoquer de graves lésions personnelles voire la mort.



### Important

Indique la possibilité d'endommager le véhicule et/ou ses composants si les instructions reportées ci-dessous ne sont pas suivies.



### Remarques

Fournit des informations utiles sur l'opération en cours.

## Références

Les pièces surlignées en gris et la référence numérique (Ex. ①) représentent l'accessoire à installer et les composants de montage éventuels fournis en kit.

Les pièces avec référence alphabétique (Ex. A) représentent les composants d'origine présents sur le motorcycle.

Toutes les indications droite ou gauche se réfèrent au sens de marche la moto.

## Avertissements généraux



### Attention

Les opérations indiquées dans les pages suivantes, au cas où elles ne seraient pas effectuées selon les règles de l'art pourraient compromettre la sécurité du pilote.



### Attention

Les opérations indiquées dans les pages suivantes, au cas où elles ne seraient pas effectuées selon les règles de l'art pourraient compromettre la sécurité du pilote.



### Remarques

La documentation nécessaire pour effectuer la pose du Kit est le : Manuel D'atelier, relatif au modèle de moto en votre possession.



### Remarques

Au cas où il serait nécessaire d'effectuer le remplacement d'un composant du kit, il faudra consulter la planche relative aux pièces détachées ci-jointe.

## Symbole

Zum schnellen und übersichtlichen Lesen werden Symbole verwendet, die außerordentlich wichtige Situationen, praktische Ratschläge oder auch nur einfache Informationen hervorheben. Der Bedeutung dieser Symbole ist besondere Aufmerksamkeit zu schenken, da sich hierdurch das ständige Wiederholen von technischen Konzepten oder Sicherheitshinweisen erübrigt. Sie stellen daher regelrechte „Merker“ dar. Diese Seite ist immer dann zur Hand zu nehmen, wenn Zweifel über die Bedeutung eines Symbols bestehen sollten.



### Achtung

Eine Nichtbeachtung der hier wiedergegebenen Anweisungen kann Gefahrensituationen schaffen und zu schweren Verletzungen und auch zum Tod führen.



### Wichtig

Weist darauf hin, dass bei Nichteinhaltung der hier wiedergegebenen Anweisungen die Möglichkeit für Schäden am Fahrzeug und/oder seiner Komponenten besteht.



### Hinweis

Übermittelt nützliche Informationen zum betreffenden Arbeitsingriff.

## Bezugsangaben

Die grau gekennzeichneten Bestandteile mit numerischem Bezug (Bsp. ①) geben das zu installierende Bestandteil und die eventuellen, im Kit enthaltenen Montagekomponenten wieder.

Die Bestandteile mit alphabetischem Bezug (Bsp. A) geben die Original-Bestandteile wieder, die am Motorrad verbaut wurden.

Alle Angaben wie „rechts“ oder „links“ beziehen sich auf die Fahrtrichtung des Motorrads.

## Allgemeine Warnhinweise



### Achtung

Werden die auf den folgenden Seiten beschriebenen Arbeitsmaßnahmen nicht fachgerecht ausgeführt, kann sich dies auf die Sicherheit des Fahrers auswirken.



### Achtung

Werden die auf den folgenden Seiten beschriebenen Arbeitsmaßnahmen nicht fachgerecht ausgeführt, kann sich dies auf die Sicherheit des Fahrers auswirken.



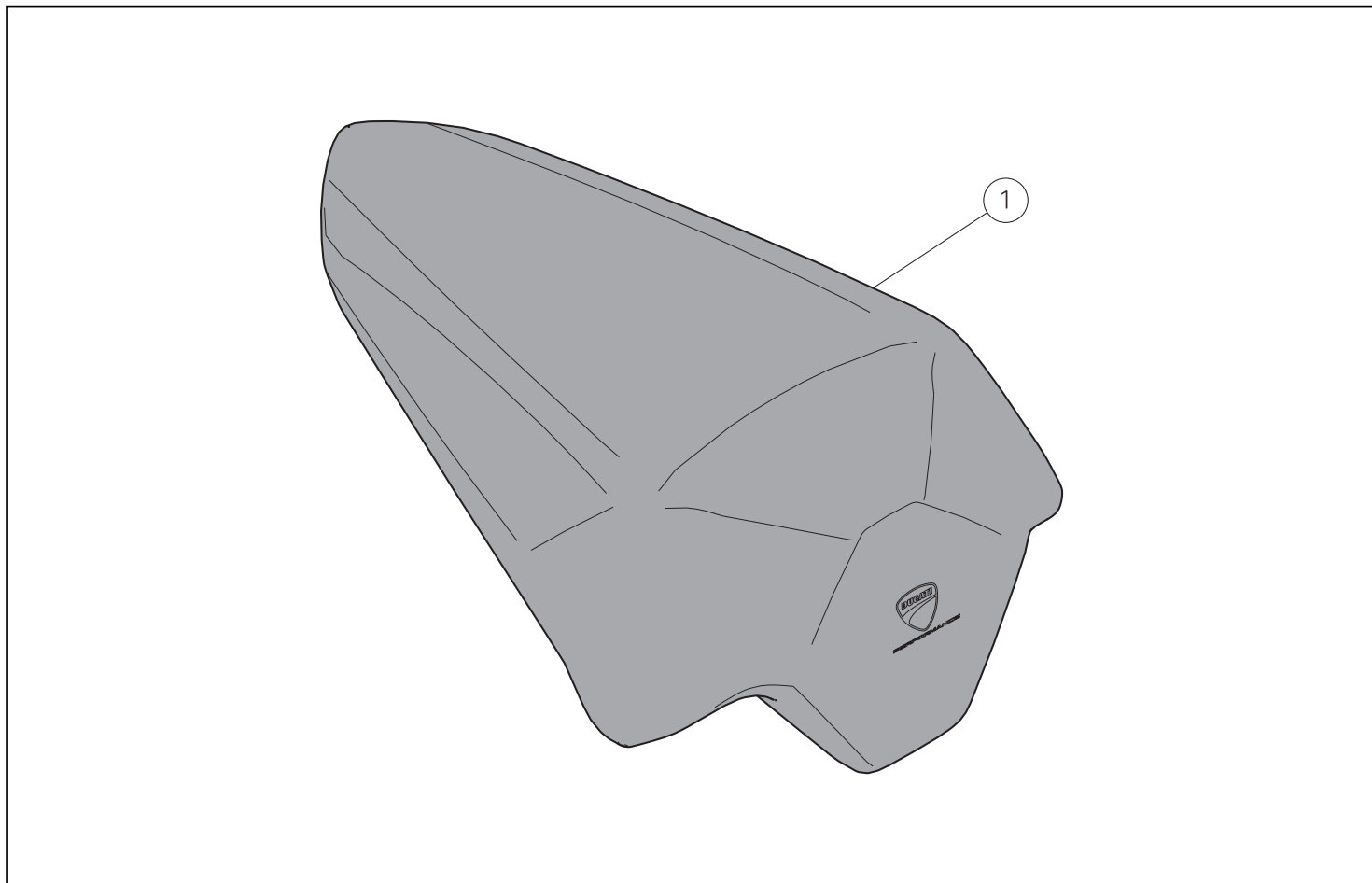
### Hinweis

Für die Montage des Kits sind folgende Unterlagen erforderlich: Werkstatthandbuch, des sich in Ihrem Besitz befindlichen Motorrads.



### Hinweis

Sollte sich der Austausch eines Bestandteils des Kits als erforderlich erweisen, ist dazu Bezug auf die beiliegende Ersatzteilliste zu nehmen.



### ● Important

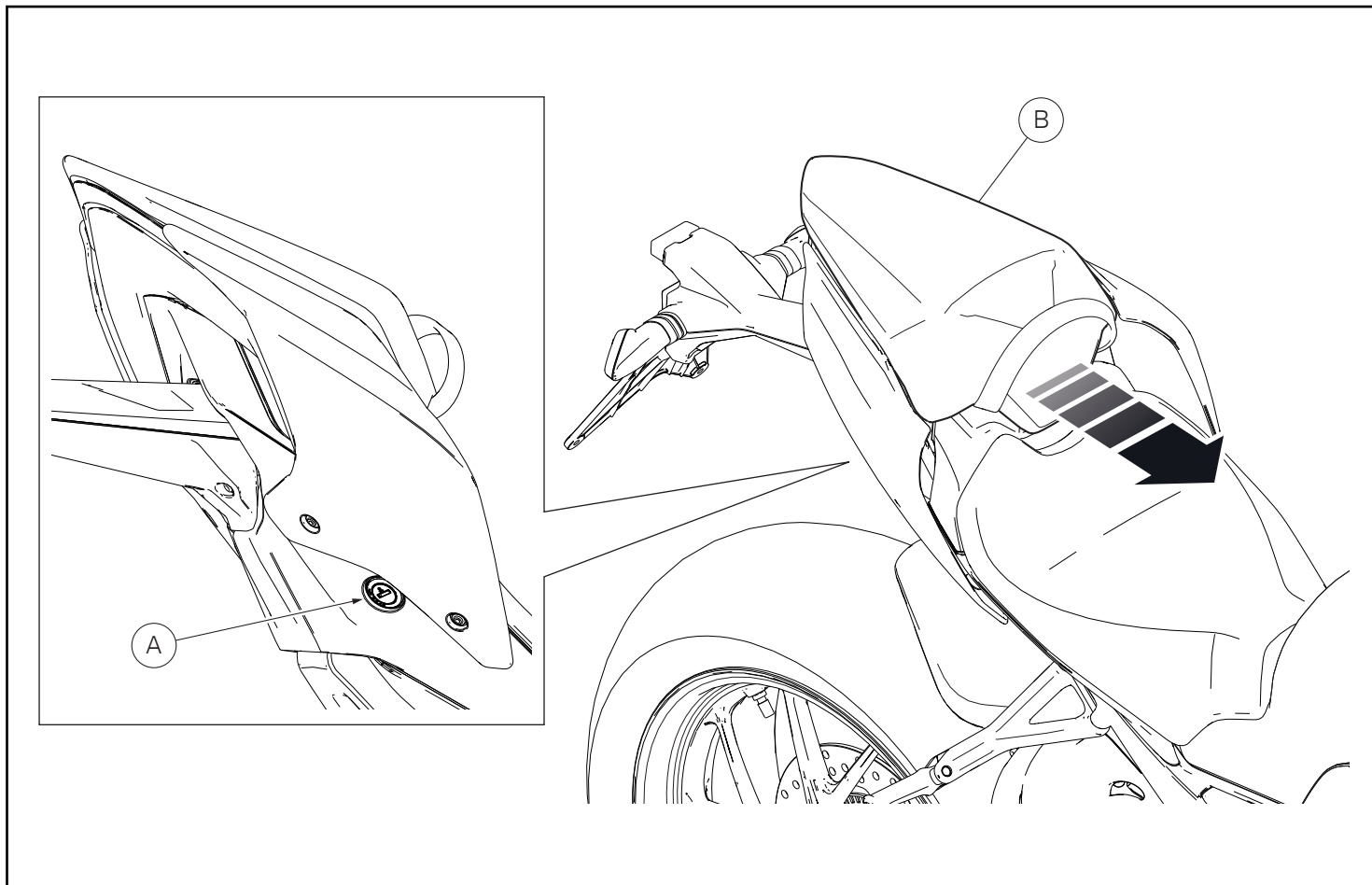
Les composants du kit peuvent être soumis à des mises à jour ; veuillez consulter le DCS (Dealer Communication System) pour des informations toujours actualisées.

### ● Wichtig

Die Bestandteile des Kits können Aktualisierungen unterliegen. Lesen Sie stets die Angaben im DCS (Dealer Communication System), um Informationen zur Verfügung stehen zu haben, die immer auf dem aktuellen Stand sind.

Pos.	Dénomination	Bezeichnung
1	Selle passager	Beifahrersitzbank





## Dépose des composants d'origine

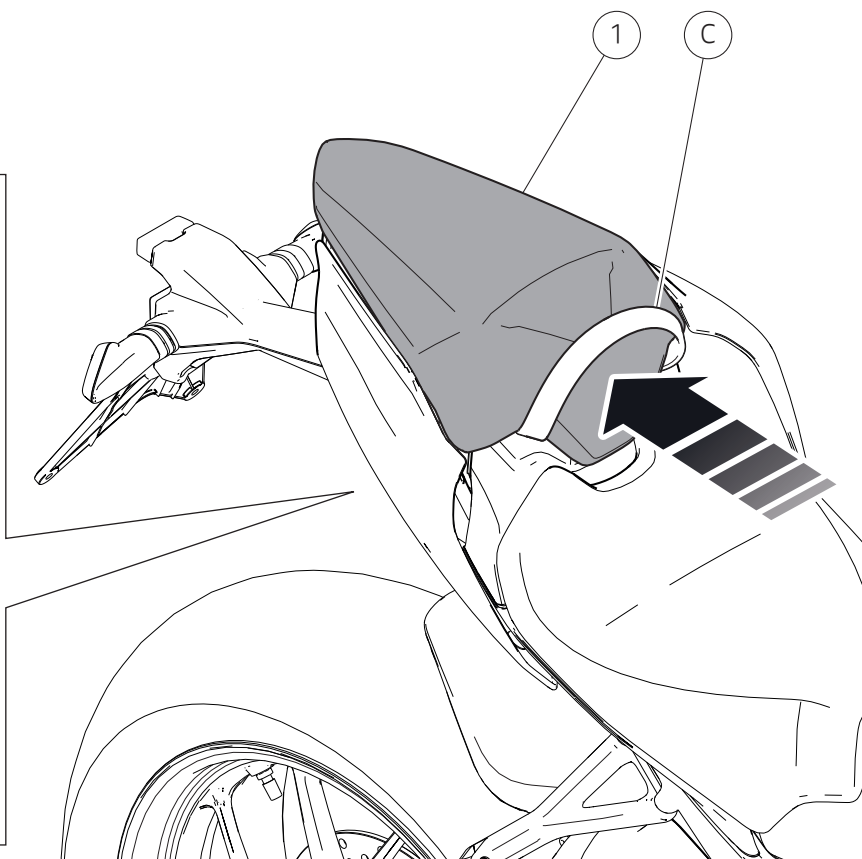
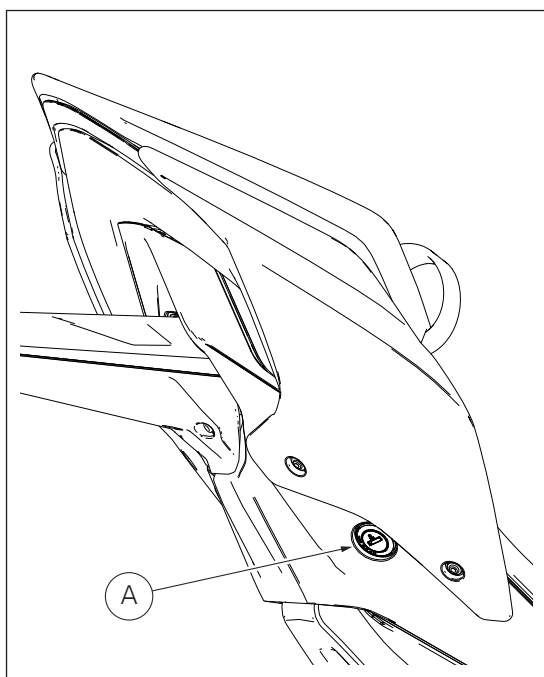
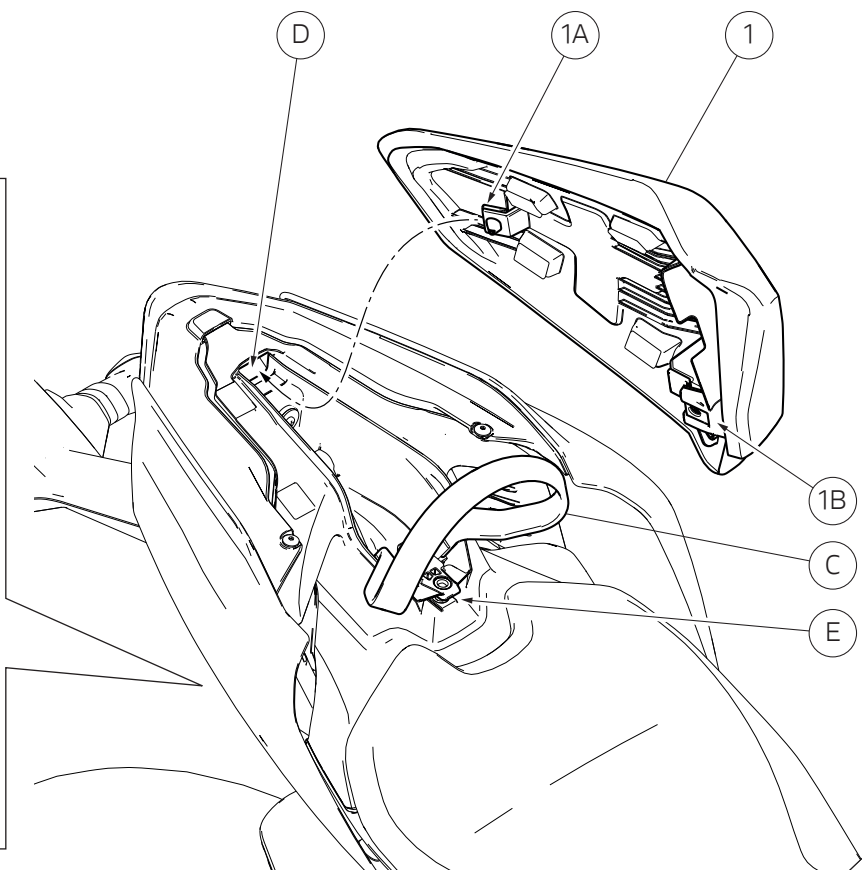
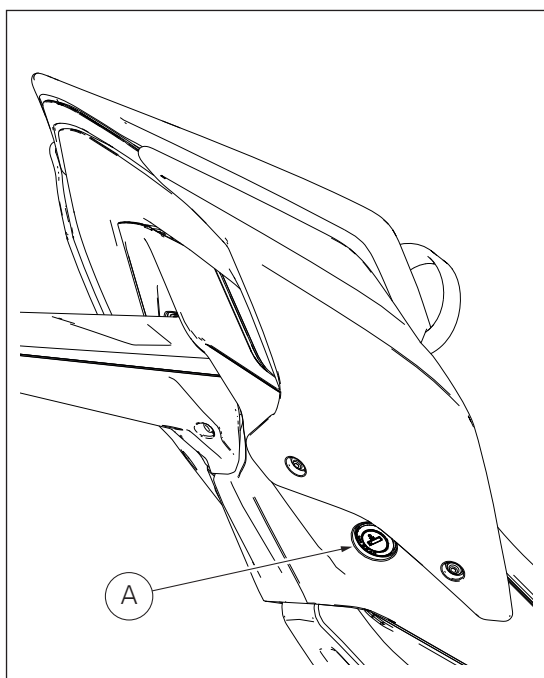
### Dépose selle passager

Insérer la clé dans la serrure (A) et la tourner jusqu'au déclic du crochet de la selle passager (B). Sortir la selle passager (B) vers la partie avant du motorcycle jusqu'à la libérer.

## Abnahme der Original-Bestandteile

### Abnahme der Beifahrersitzbank

Den Schlüssel in das Schloss (A) einstecken und so lange drehen, bis das Entriegeln der Beifahrersitzbank (B) zu hören ist. Die Beifahrersitzbank (B) zum vorderen Motorradbereich hin abziehen, bis sie frei liegt.



## Pose des composants kit

### Important

Avant la pose, vérifier que tous les composants sont propres et en bon état. Prendre toutes les précautions nécessaires pour éviter d'endommager toute partie dans laquelle on intervient.

### Pose selle passager

S'assurer que la sangle passager (C) résulte correctement positionnée en dehors du bac vide-poches. Poser la selle passager (1) en insérant la bride (1A) à l'intérieur de l'ouverture (D) du bac vide-poches. Tourner la serrure (A) et déplacer la selle passager (1) vers l'arrière, en portant la bride (1B) au niveau du verrou (E). Relâcher la serrure (A). S'assurer que la selle passager (1) est solidement fixée au motorcycle et retirer la clé de la serrure (A).

### Attention

Il est absolument interdit de laver la selle avec des détergents agressifs, des solvants ou des laveuses à vapeur ce qui pourrait provoquer des dommages irréparables.

### Attention

Il est absolument interdit de frotter énergiquement la surface extérieure de la selle avec des instruments abrasifs ce qui pourrait provoquer des dommages irréparables.

## Montage der Kit-Bestandteile

### Wichtig

Vor der Montage überprüfen, dass alle Bestandteile sauber sind und sich im perfekten Zustand befinden. Alle erforderlichen Vorsichtsmaßnahmen treffen, um eine Beschädigung des jeweiligen Bereichs, in den man arbeitet, zu vermeiden.

### Montage der Beifahrersitzbank

Sicherstellen, dass der Halteriemen (C) für den Beifahrer korrekt außerhalb des Staufachs positioniert ist. Die Beifahrersitzbank (1) montieren und den Bügel (1A) in die Öffnung (D) einfügen, die im Staufach vorhanden ist. Das Schloss (A) drehen und die Beifahrersitzbank (1) nach hinten schieben, dabei den Bügel (1B) an den Riegel (E) bringen. Das Schloss (A) zurücklassen. Sicherstellen, dass die Beifahrersitzbank (1) fest am Motorrad befestigt ist, dann den Schlüssel aus dem Schloss (A) ziehen.

### Achtung

Es ist strikt verboten, die Sitzbank mit aggressiven Reinigungsmitteln, Lösungsmitteln oder Hochdruckreinigern zu waschen, die sie irreparabel beschädigen würden.

### Achtung

Es ist strikt verboten, die Außenseite der Sitzbank kräftig mit scheuernden Mitteln/Vorrichtungen, die sie irreparabel beschädigen würden, abzureiben.



## Símbolos

Para uma leitura rápida e racional, foram utilizados símbolos que evidenciam situações de máxima atenção, conselhos práticos ou simples informações. Preste muita atenção ao significado dos símbolos, pois a sua função é a de evitar a repetição de conceitos técnicos ou de avisos de segurança. Portanto, os símbolos devem ser considerados como verdadeiros "lembretes". Consulte esta página sempre que tiver dúvidas acerca do seu significado.



### Atenção

O não cumprimento das instruções mostradas pode criar uma situação de perigo e causar graves lesões pessoais e até mesmo a morte.



### Importante

Indica a possibilidade de causar danos ao veículo e/ou aos seus componentes se as instruções mostradas não forem executadas.



### Notas

Fornece informações úteis sobre a operação em curso.

## Referências

Os detalhes evidenciados em cinza e com referência numérica (Ex. ①) representam o acessório a ser instalado e os eventuais componentes de montagem fornecidos como kit.

Os detalhes com referência alfabética (Ex. ①) representam os componentes originais presentes na moto.

Todas as indicações direita ou esquerda, referem-se ao sentido de marcha da moto.

## Advertências gerais



### Atenção

As operações mostradas nas páginas a seguir, se não forem executadas com boa técnica, podem prejudicar a segurança do condutor.



### Atenção

As operações mostradas nas páginas a seguir, se não forem executadas com boa técnica, podem prejudicar a segurança do condutor.



### Notas

Documentação necessária para executar a montagem do Conjunto: Manual De Oficina, relativo ao modelo de moto em sua posse.



### Notas

Caso seja necessária a substituição de um componente do conjunto, consulte o quadro de peças de reposição em anexo.

## Symbols

To allow quick and easy consultation, this manual uses graphic symbols to highlight situations in which maximum care is required, as well as practical advice or information. Pay attention to the meaning of the symbols since they serve to avoid repeating technical concepts or safety warnings throughout the text. The symbols should therefore be seen as real reminders. Please refer to this page whenever in doubt as to their meaning.



### Warning

Failure to follow these instructions might give rise to a dangerous situation and provoke severe personal injuries or even death.



### Caution

Failure to follow these instructions might cause damages to the vehicle and/or its components.



### Notes

Useful information on the procedure being described.

## References

Parts highlighted in grey and with a numeric reference (Example ①) are the accessory to be installed and any assembly components supplied with the kit.

Parts with an alphabetic reference (Example ①) are the original components fitted on the vehicle.

Any right- or left-hand indication refers to the vehicle direction of travel.

## General notes



### Warning

Carefully perform the operations on the following pages since they might negatively affect rider safety.



### Warning

Carefully perform the operations on the following pages since they might negatively affect rider safety.



### Notes

The following documents are necessary for assembling the Kit: Workshop Manual of your bike model.



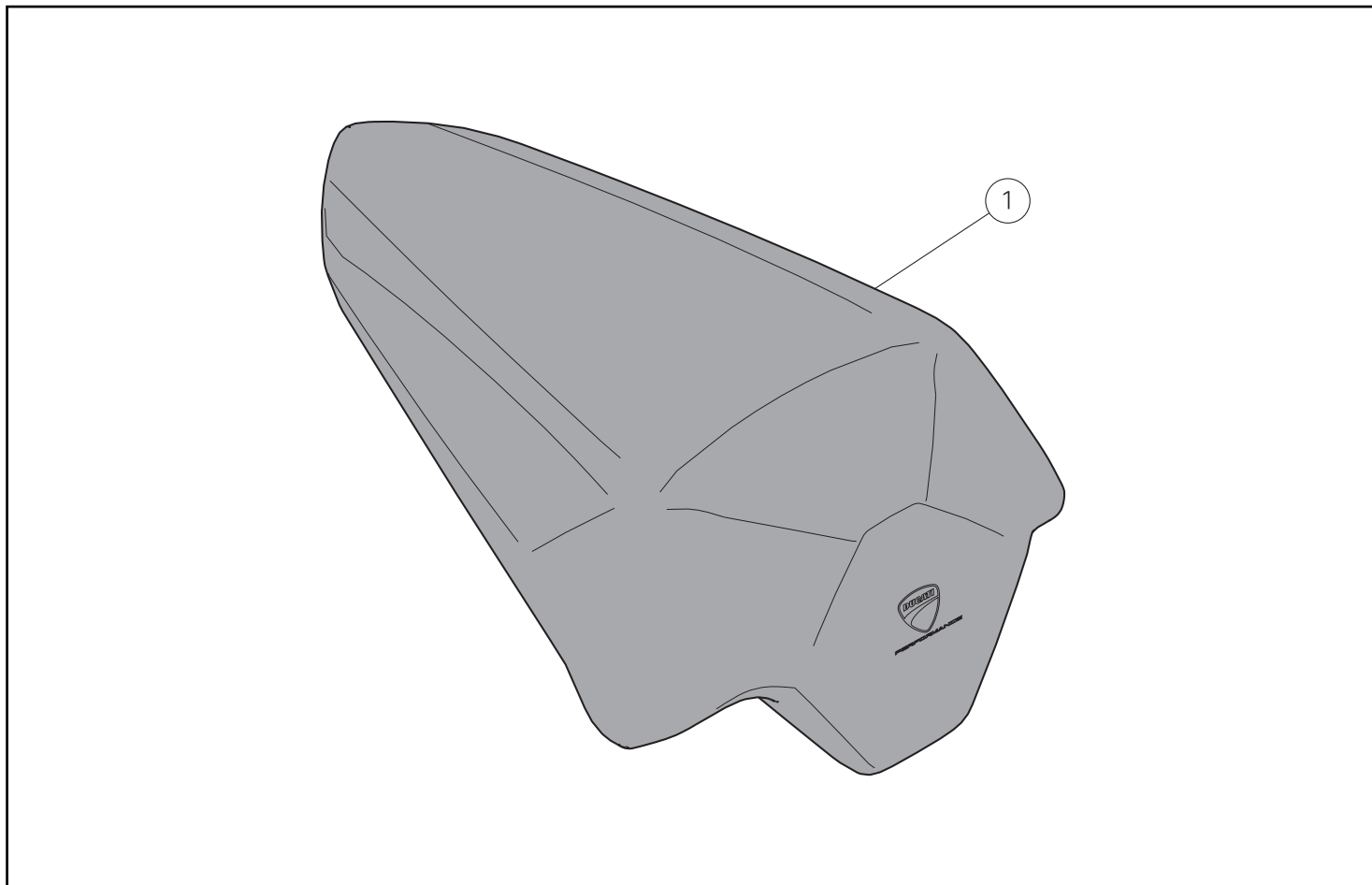
### Notes

Should it be necessary to change any kit parts, please refer to the attached spare part table.



### Warning

Operating, servicing and maintaining a passenger vehicle or off-highway motor vehicle can expose you to chemicals including engine exhaust, carbon monoxide, phthalates, and lead, which are known to the State of California to cause cancer and birth defects or other reproductive harm. To minimize exposure, avoid breathing exhaust, do not idle the engine except as necessary, service your vehicle in a well-ventilated area and wear gloves or wash your hands frequently when servicing your vehicle. For more information go to [www.P65Warnings.ca.gov/passenger-vehicle](http://www.P65Warnings.ca.gov/passenger-vehicle).



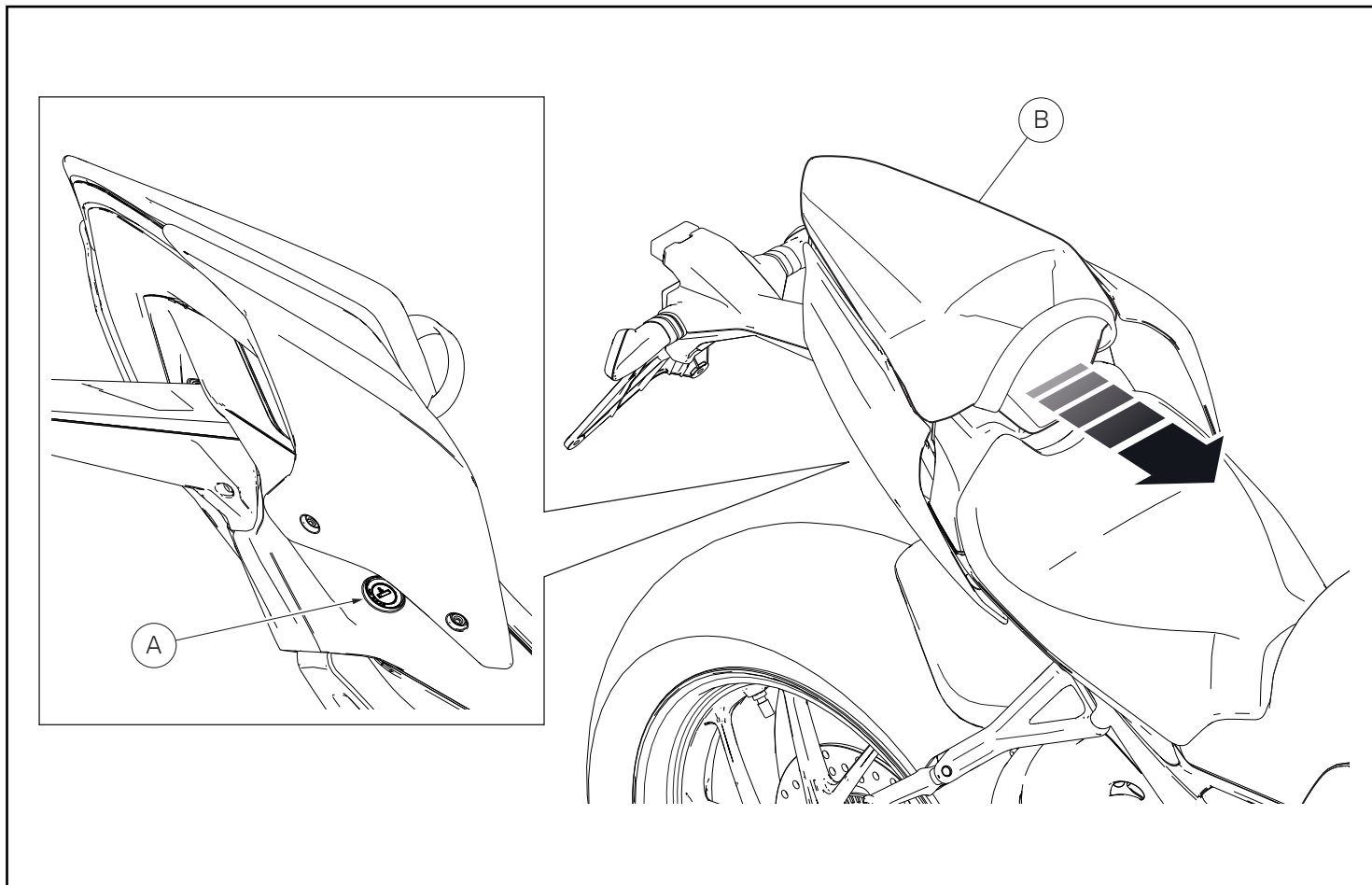
**Importante**

Os componentes do conjunto podem sofrer atualizações; consulte o DCS (Dealer Communication System) a fim de obter informações sempre atualizadas.

**Important**

The parts of the kit can be updated; for information always up to date, please refer to DCS (Dealer Communication System).

Pos.	Denominação	Description
1	Assento do passageiro	Passenger seat



### Desmontagem dos componentes originais

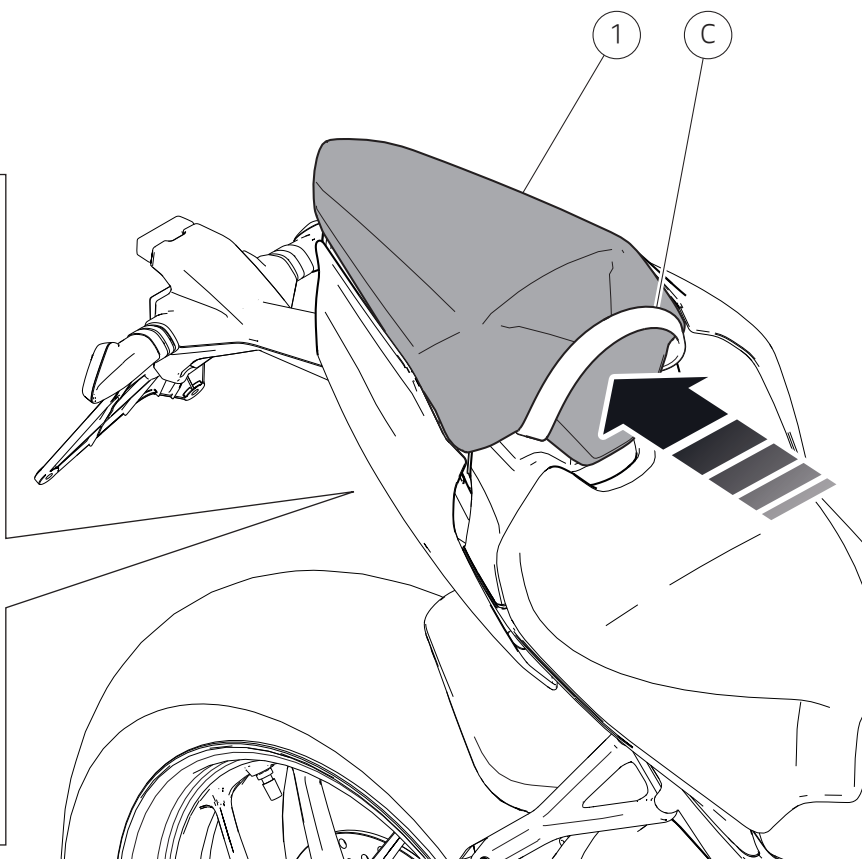
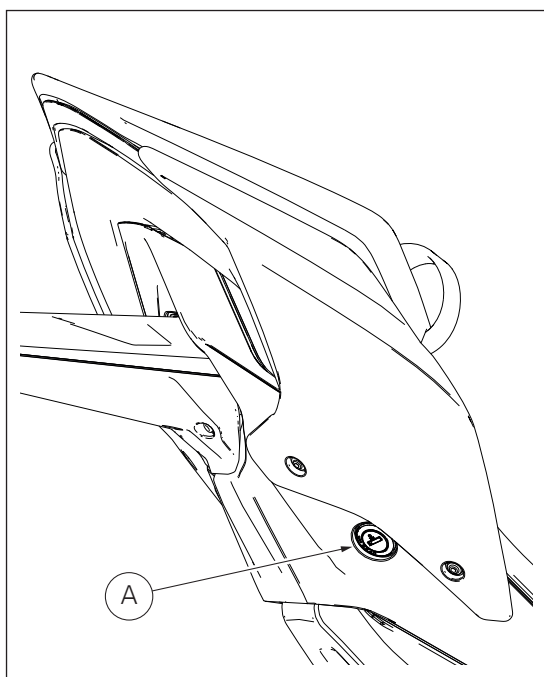
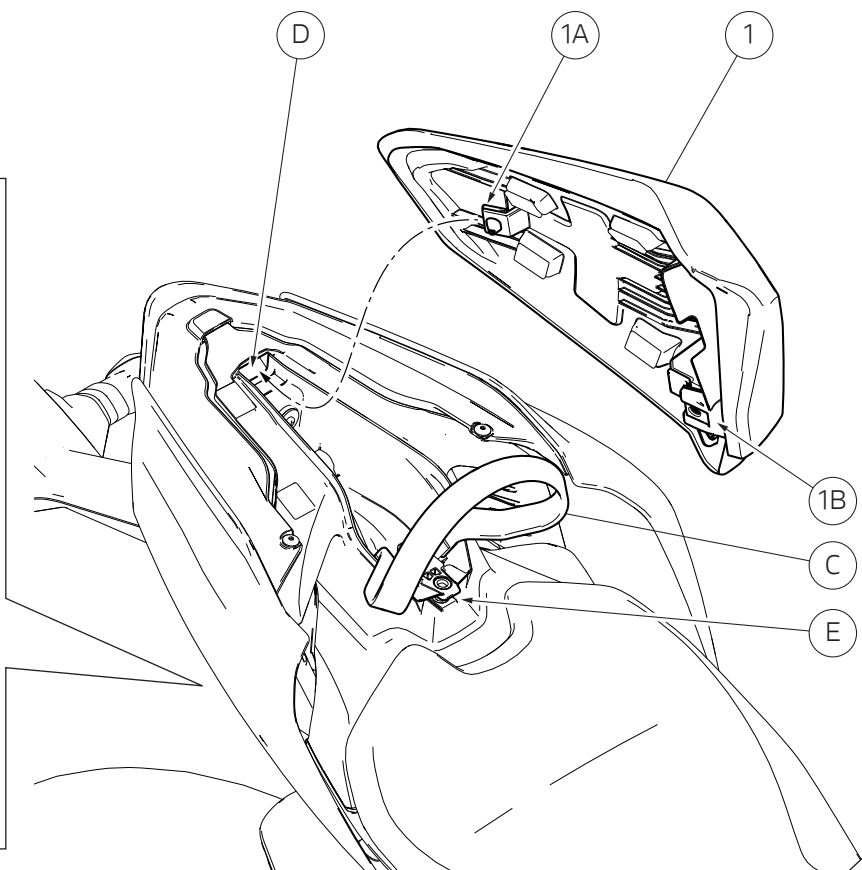
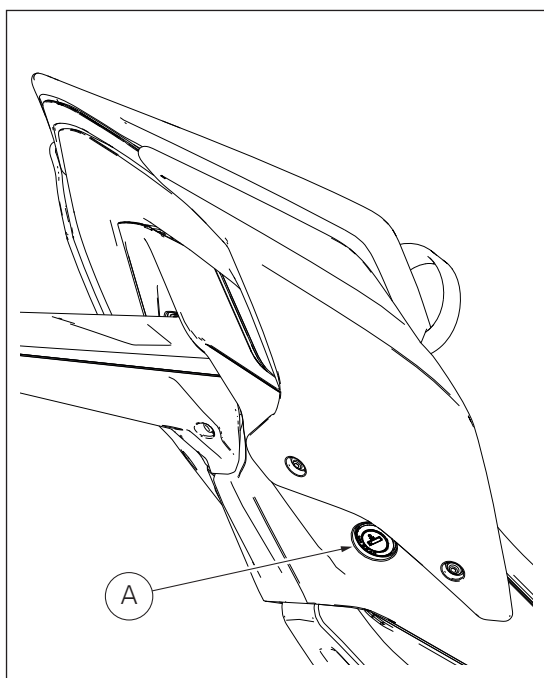
### Removing the original components

#### Desmontagem do assento do passageiro

Insira a chave na fechadura (A) e rode-a até ouvir o estalido de desengate do assento do passageiro (B). Tire o assento do passageiro (B) para a parte dianteira da moto até liberá-lo.

#### Removing the passenger seat

Insert the key into the seat lock (A) and turn it until the passenger seat catch (B) disengages with an audible click. Slide out the passenger seat (B) towards motorcycle front end until removing it.





## Montagem dos componentes do conjunto

### Importante

Verifique, antes da montagem, se todos os componentes estão limpos e em perfeito estado. Adote todas as precauções necessárias para evitar danificar qualquer peça com a qual deve trabalhar.

### Montagem do assento do passageiro

Certifique-se de que a cinta do passageiro (C) esteja corretamente posicionada fora do porta-luvas. Monte o assento do passageiro (1), inserindo a sua braçadeira (1A) dentro da abertura (D) do porta-luvas. Rode a fechadura (A) e desloque o assento do passageiro (1) para a parte traseira, colocando a braçadeira (1B) na altura do trinco (E). Solte a fechadura (A). Certifique-se de que o assento do passageiro (1) esteja fixado firmemente à moto e remova a chave da fechadura (A).

### Atenção

É absolutamente proibido lavar o assento com detergentes agressivos, solventes ou lavadora de alta pressão que podem danificá-lo irreparavelmente.

### Atenção

É absolutamente proibido passar com força instrumentos abrasivos sobre a superfície externa do assento, pois podem danificá-lo.

## Assembling the kit components

### Important

Before assembling, check that all parts are clean and in good conditions. Adopt all necessary precautions to avoid damaging any part you are working on.

### Assembling the passenger seat

Make sure that the passenger seat strap (C) is correctly positioned outside the glove compartment. Fit the passenger seat (1) by inserting bracket (1A) inside opening (D) of the glove compartment. Turn the lock (A) and move the passenger seat (1) towards the rear end, bringing the bracket (1B) near the latch (E). Release the lock (A). Make sure that the passenger seat (1) is firmly secured to the motorcycle and remove the key from the lock (A).

### Warning

It is strictly forbidden to wash the seat with aggressive detergents, solvents or with a power jet cleaner that would irreparably damage it.

### Warning

It is strictly forbidden to rub the external surface of the seat with abrasive tools that would irreparably damage it.



**Kit asiento confort pasajero - 96880601A**

パッセンジャーコンフォートシートキット - 96880601A

**Símbolos**

Para una lectura rápida y racional se han empleado símbolos que evidencian situaciones de máxima atención, consejos prácticos o simples informaciones. Prestar mucha atención al significado de los símbolos porque su función consiste en omitir la repetición de conceptos técnicos o advertencias de seguridad. Los símbolos deben considerarse como verdaderos "apuntes". Consultar esta página cada vez que se tengan dudas sobre su significado.

**Atención**

El incumplimiento de las instrucciones indicadas puede crear una situación de peligro y ocasionar graves lesiones e incluso la muerte.

**Importante**

Indica la posibilidad de provocar un daño al vehículo y/o a sus componentes si no se siguen las instrucciones indicadas.

**Notas**

Suministra útiles informaciones sobre la operación en curso.

**Referencias**

Las partes resaltadas en gris y la referencia numérica (Por ej. ①) representan el accesorio que se debe instalar y los eventuales componentes de montaje suministrados en el kit.

Las partes con referencia alfabética (Por ej. (A)) representan los componentes originales presentes en la motocicleta.

Todas las indicaciones derecha o izquierda se refieren al sentido de marcha de la motocicleta.

**Advertencias generales****Atención**

Las operaciones descritas en las siguientes páginas deben realizarse correctamente para no perjudicar la seguridad del piloto.

**Atención**

Las operaciones descritas en las siguientes páginas deben realizarse correctamente para no perjudicar la seguridad del piloto.

**Notas**

La documentación necesaria para realizar el montaje del Kit es el: Manual De Taller, relativo al modelo de moto en vuestro poder.

**Notas**

Si fuera necesario sustituir un componente del kit, consultar la tabla de recambios adjunta.

**シンボル**

素早くかつ合理的に読み進めることができるように、本マニュアルではいくつかのシンボルを導入し、最大限の注意を払う必要がある状況や、推奨事項、または一般情報を明確にしてあります。技術的概念や安全に関する警告を繰り返し記載する必要がないように機能しているので、各シンボルの意味に十分注意してください。シンボルは、実際上の“覚え書き”であると考えてください。シンボルなどの意味がわからなくなったり疑問に思う場合は、必ずこのページで調べるようにしてください。

**注記**

この説明書に従わずに使用すると危険な状況を招き、重大なけが、あるいは死をももたらす原因となることがあります。

**重要**

この説明書に従わずに使用すると、車体及び/又はその部品に損害を招く可能性があります

**参考**

操作中の内容に関する有用な情報を掲載しています。

**参照**

灰色で表示する部品、および参照番号 (Es.①) で表示する部品は、キットに付属する取り付け部品および組み立て部品を示します。

参照アルファベット (Es.(A)) で表示する部品は、車両に付属するオリジナル部品を示します。

すべての右及び左の指示は車体の進行方向を向いたものです。

**一般警告事項****注記**

以下のページに記載されている作業が規定通りに実施されないと、ライダーの安全性を脅かすおそれがあります。

**注記**

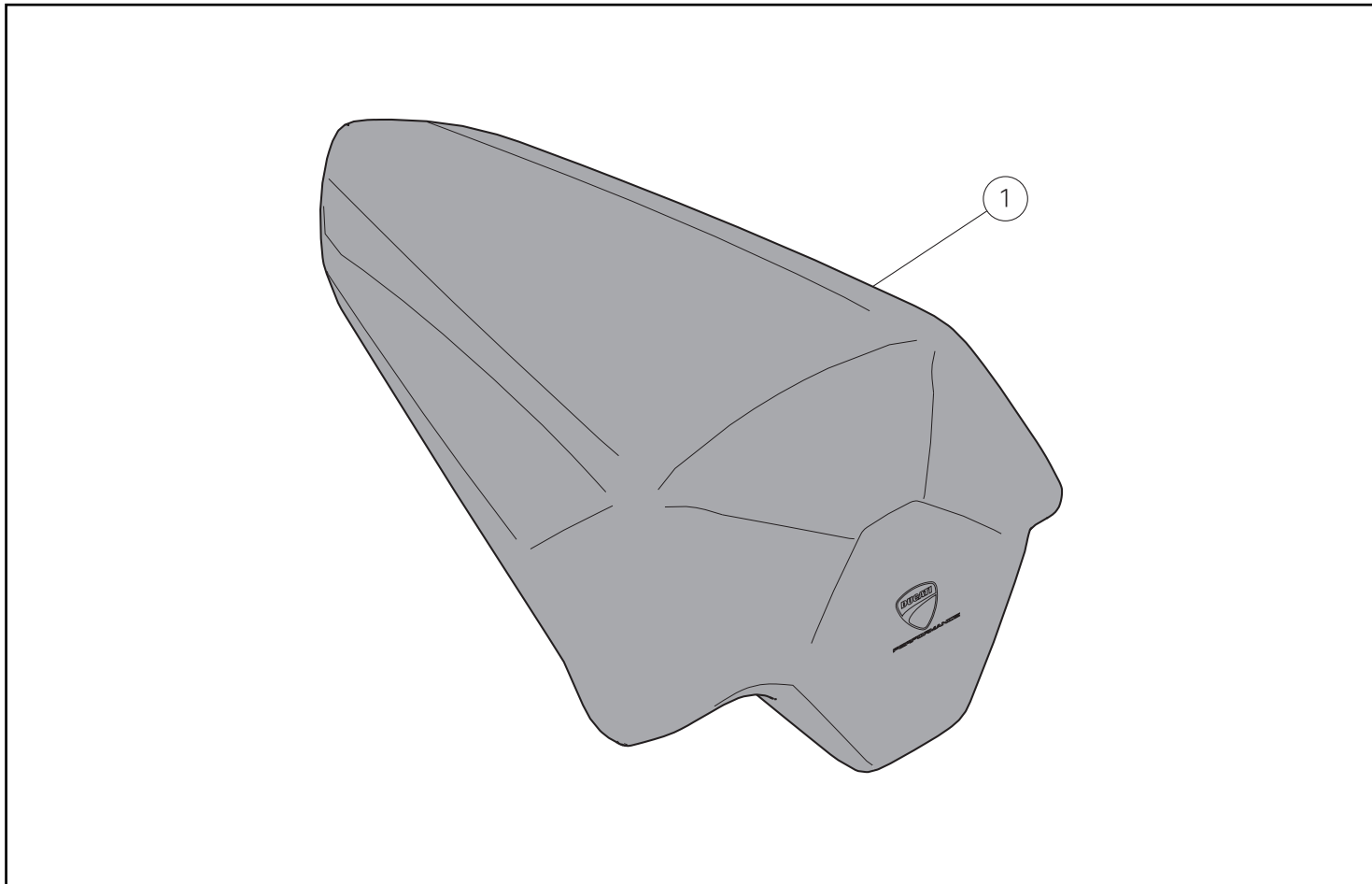
以下のページに記載されている作業が規定通りに実施されないと、ライダーの安全性を脅かすおそれがあります。

**参考**

キットの取り付けに必要な資料：お手持ちの車両モデルに対応するワークショップマニュアル。

**参考**

キットの部品を交換する必要がある場合は、添付のスペアパーツ表を参照してください。



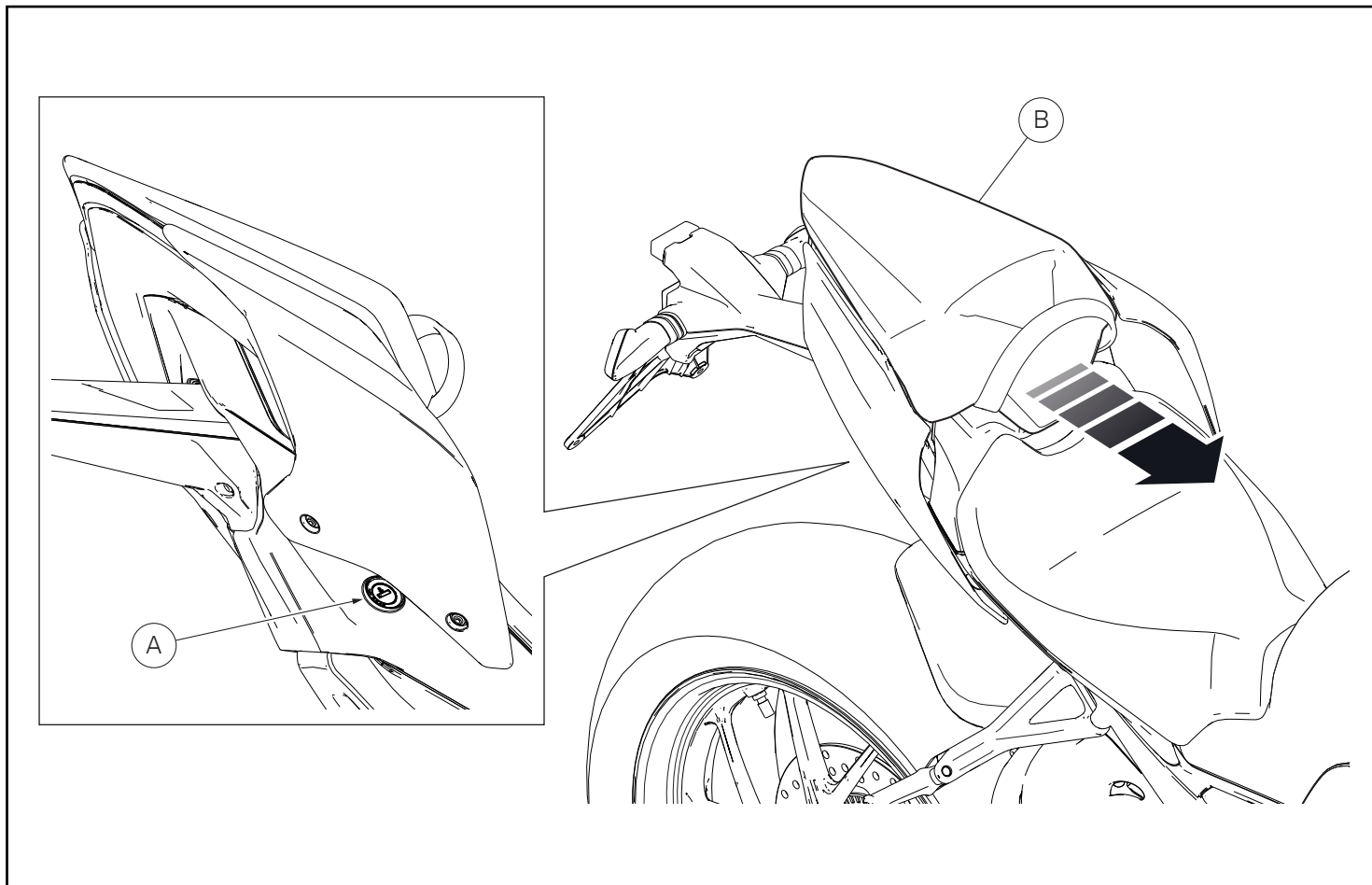
### ● Importante

Es posible que los componentes del kit sean actualizados; consultar el DCS (Dealer Communication System) para tener información siempre al día.

### ● 重要

キットの構成部品は更新されることがあります。DCS (Dealer Communication System) から常に最新の情報をチェックするようにしてください。

Pos.	Denominación	名称
1	Asiento pasajero	パッセンジャーシート



## Desmontaje componentes originales

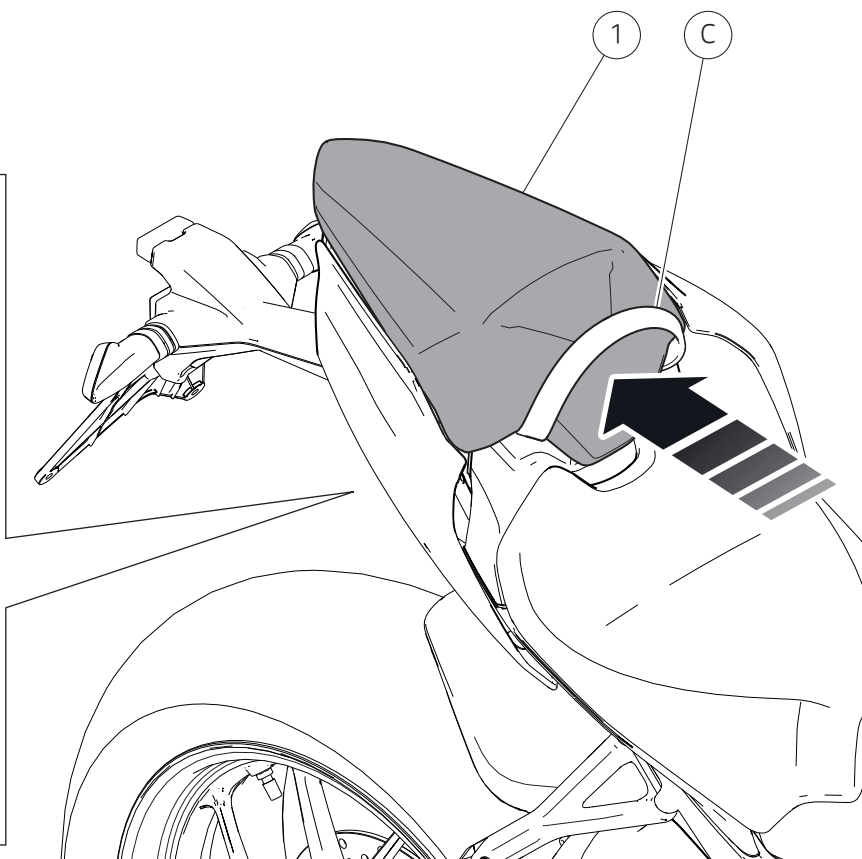
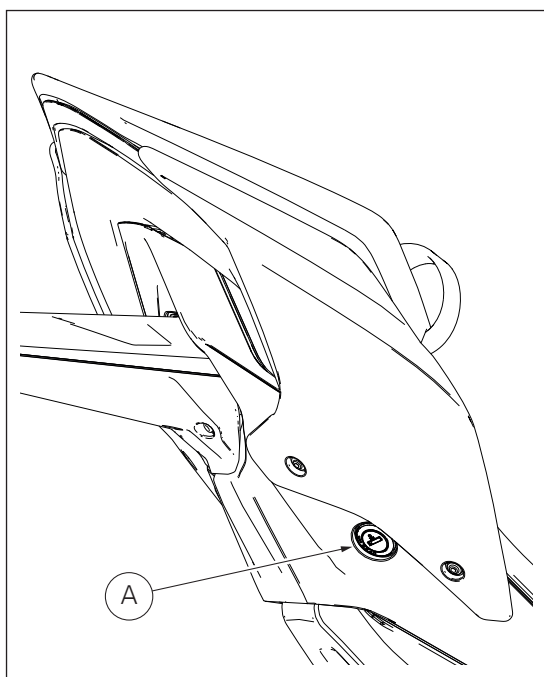
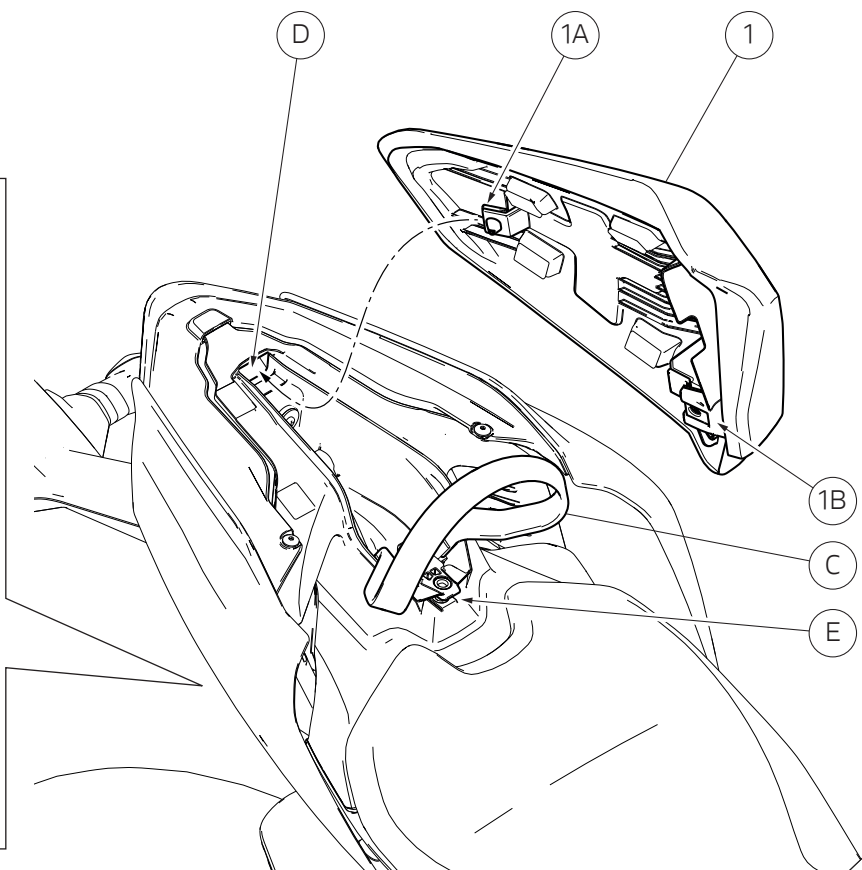
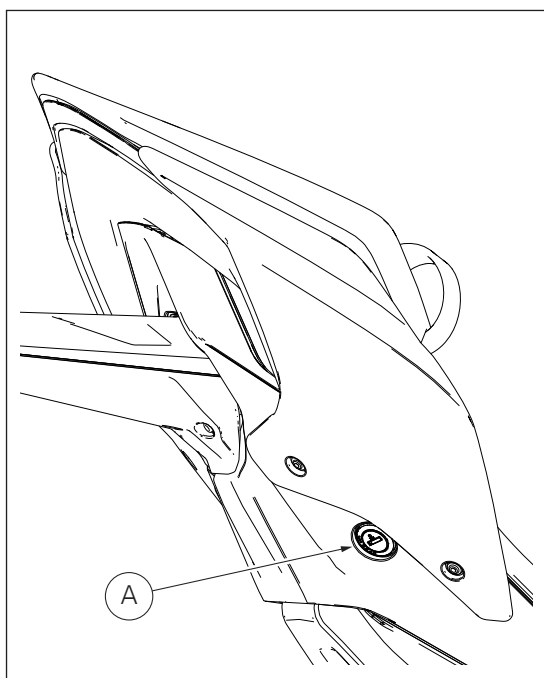
### Desmontaje asiento pasajero

Introducir la llave en la cerradura (A) y girarla hasta oír el chasquido del gancho del asiento pasajero (B). Extraer el asiento pasajero (B) hacia la parte delantera de la motocicleta hasta liberarlo.

## オリジナル構成部品の取り外し

### パッセンジャーシートの取り外し

鍵穴 (A) にキーを差し込み、カチッと音がしてパッセンジャーシート (B) のロックが外れるまで鍵を回します。パッセンジャーシート (B) をモーターサイクルの前方に完全に抜き取ります。



## Montaje componentes kit



### Importante

Antes del montaje, comprobar que todos los componentes se encuentren limpios y en perfecto estado. Adoptar todas las precauciones necesarias para evitar dañar cualquier parte en la que se debe operar.

### Montaje asiento pasajero

Asegurarse de que la correa del pasajero (C) resulte posicionada correctamente fuera del compartimiento portaobjetos. Montar el asiento pasajero (1), introduciendo el sostén (1A) en la abertura (D) del compartimiento portaobjetos. Girar la cerradura (A) y trasladar el asiento pasajero (1) hacia la parte trasera, colocando el sostén (1B) en correspondencia con el pestillo (E). Liberar la cerradura (A). Asegurarse de que el asiento pasajero (1) se encuentre fijado firmemente a la motocicleta y quitar la llave de la cerradura (A).



### Atención

Esta absolutamente prohibido lavar el asiento con detergentes agresivos, disolventes o hidrolimpiadora que lo dañarían irremediablemente.



### Atención

Está absolutamente prohibido rozar enérgicamente la superficie exterior del asiento con instrumentos abrasivos que lo dañarían irremediablemente.

## キット部品の取り付け



### 重要

取り付けの前に全ての部品に汚れがなく、完璧な状態であることを確認してください。作業中の部品の損傷を防ぐために、必要な予防措置をすべて講じてください。

### パッセンジャーシートの取り付け

パッセンジャーベルト (C) が小物入れの外側の正しい位置にあることを確認してください。パッセンジャーシート (1) を取り付け、小物入れの内側に設けられた開口部 (D) にブラケット (1A) を挿入します。鍵穴 (A) を回転させ、パッセンジャーシート (1) を後方にスライドさせます。このときブラケット (1B) をラッチ (E) に合わせます。鍵穴 (A) を放します。パッセンジャーシート (1) が車両にしっかりと固定されたことを確認し、鍵穴 (A) からキーを抜きます。



### 警告

シートの洗浄に強力な洗剤や溶剤、また洗浄機を使用すると修復できない損傷を与えますので、絶対に使用しないでください。



### 警告

シートの外側表面を絶対に研磨材入りの素材や表面がざらついた素材で力を入れすぎて強く擦らないでください。修復できない損傷を与えることとなります。





# レース専用部品 ご注文書

## ご注文商品

1	P/N	商品名
2	P/N	商品名
3	P/N	商品名
4	P/N	商品名
5	P/N	商品名

## お客様ご記入欄

私は上記レース専用部品を下記車両に装着し、サーキット走行のみに利用し、一般公道には利用しません。

車台番号 ZDM	モデル名
お客様署名	ご注文日

## ドウカティ正規ネットワーク店記入欄

お客様に上記レース専用部品を販売し、レース専用部品のご利用方法を説明いたしました。

販売店署名	販売日	年	月	日
-------	-----	---	---	---

販売店様へお願い

- 上記ご記入の上、弊社アフターセールス部までFAXしてください。FAX : 03 - 6692 - 1317
- 取り付け車両 1台に 1枚でご使用ください。