

Kit sella comfort pilota -

Kit sella racing pilota - Kit sella bassa pilota - 96880851AA - 96880861AA - 96880871AA

Rider comfort seat kit -

Rider racing seat kit - Rider lowered seat kit - 96880851AA - 96880861AA - 96880871AA

## Simbologia

Per una lettura rapida e razionale sono stati impiegati simboli che evidenziano situazioni di massima attenzione, consigli pratici o semplici informazioni. Prestare molta attenzione al significato dei simboli, in quanto la loro funzione è quella di non dovere ripetere concetti tecnici o avvertenze di sicurezza. Sono da considerare, quindi, dei veri e propri "promemoria". Consultare questa pagina ogni volta che sorgessero dubbi sul loro significato.



### Attenzione

La non osservanza delle istruzioni riportate può creare una situazione di pericolo e causare gravi lesioni personali e anche la morte.



### Importante

Indica la possibilità di arrecare danno al veicolo e/o ai suoi componenti se le istruzioni riportate non vengono eseguite.



### Note

Fornisce utili informazioni sull'operazione in corso.

## Riferimenti

I particolari evidenziati in grigio e riferimento numerico (Es. ①) rappresentano l'accessorio da installare e gli eventuali componenti di montaggio forniti a kit.

I particolari con riferimento alfabetico (Es. (A)) rappresentano i componenti originali presenti sul motoveicolo.

Tutte le indicazioni destro o sinistro si riferiscono al senso di marcia del motociclo.

## Avvertenze generali



### Attenzione

Le operazioni riportate nelle pagine seguenti devono essere eseguite da un tecnico specializzato o da un'officina autorizzata Ducati.



### Attenzione

Le operazioni riportate nelle pagine seguenti se non eseguite a regola d'arte possono pregiudicare la sicurezza del pilota.



### Note

Documentazione necessaria per eseguire il montaggio del Kit è il Manuale Officina, relativo al modello di moto in vostro possesso.



### Note

Nel caso fosse necessaria la sostituzione di un componente del kit consultare la tavola ricambi allegata.

## Symbols

The symbols used in this manual are aimed at making reading direct and easy. The symbols are used either to draw the reader's attention on potentially hazardous conditions, or to give practical advice or to supply general information. Pay the utmost attention to these symbols as they are used to remind of technical principles or safety measures which will not be repeated extensively. They must therefore be considered as "reminders". Check with this page in case of doubt about their meaning.



### Warning

Failure to comply with these instructions may put you at risk and lead to severe injury or death.



### Important

It indicates the possibility of damaging the motorcycle and/or its components if the instructions are not followed.



### Notes

It supplies useful information about the operation in progress.

## References

The parts highlighted in grey and with a reference number (e.g. ①) represent the accessory to be installed and any assembly components supplied with the kit.

The parts with alphabetic reference (e.g. (A)) represent the original components present on the motorcycle.

All left and right indications are referred to the motorcycle direction of travel (forward riding position).

## General notes



### Warning

The operations listed in the following pages must be carried out by a specialised technician or by a Ducati authorised service centre.



### Warning

Carefully perform the operations on the following pages since they might negatively affect rider safety.



### Notes

The Workshop Manual of your motorcycle model is the documentation required to assemble the Kit.



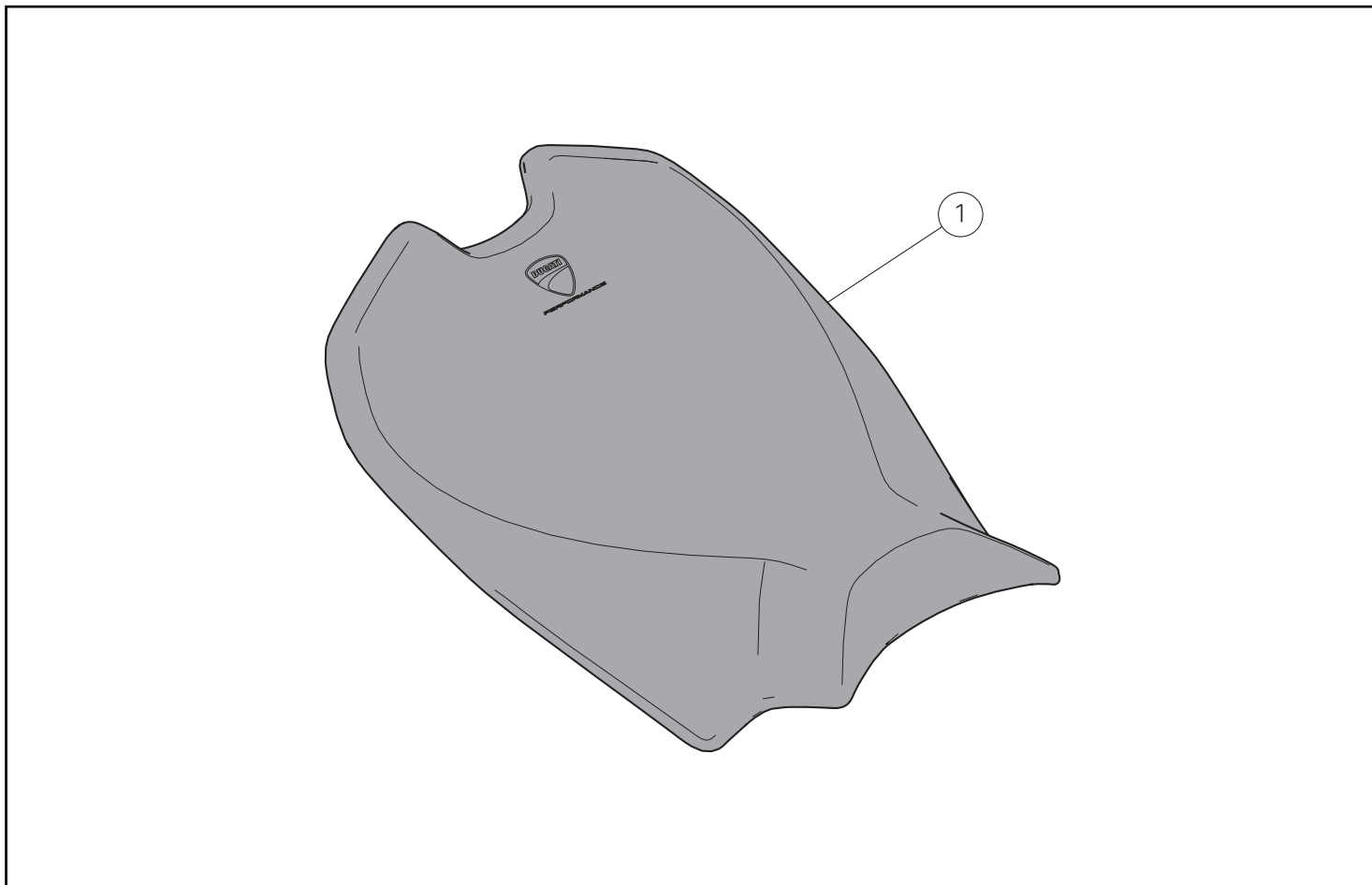
### Notes

Should it be necessary to change any kit parts, please refer to the attached spare part table.



### Warning

Operating, servicing and maintaining a passenger vehicle or off-highway motor vehicle can expose you to chemicals including engine exhaust, carbon monoxide, phthalates, and lead, which are known to the State of California to cause cancer and birth defects or other reproductive harm. To minimize exposure, avoid breathing exhaust, do not idle the engine except as necessary, service your vehicle in a well-ventilated area and wear gloves or wash your hands frequently when servicing your vehicle. For more information go to [www.P65Warnings.ca.gov/passenger-vehicle](http://www.P65Warnings.ca.gov/passenger-vehicle).



### Importante

I componenti del kit possono essere soggetti ad aggiornamenti; consultare il DCS (Dealer Communication System) per avere informazioni sempre aggiornate.



### Important

The parts of the kit can be updated; for information always up to date, please refer to DCS (Dealer Communication System).



### Note

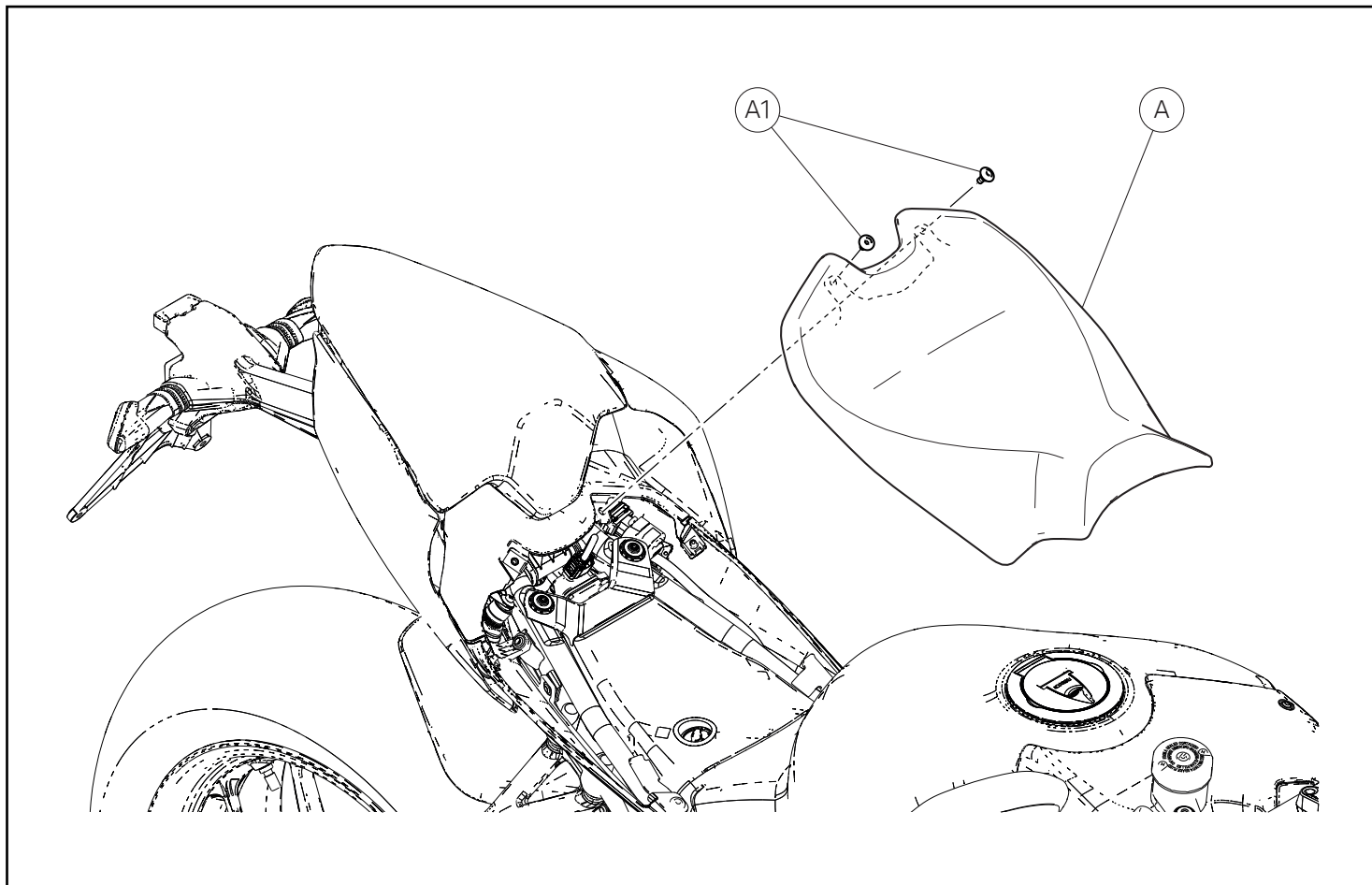
Le procedure di montaggio delle tre tipologie di sella sono identiche; ne viene, pertanto, rappresentata una sola.



### Notes

The assembly procedures for the three types of seat are the same; hence, only one is represented.

Pos.	Denominazione	Name
1	Sella pilota	Rider seat



### Smontaggio componenti originali

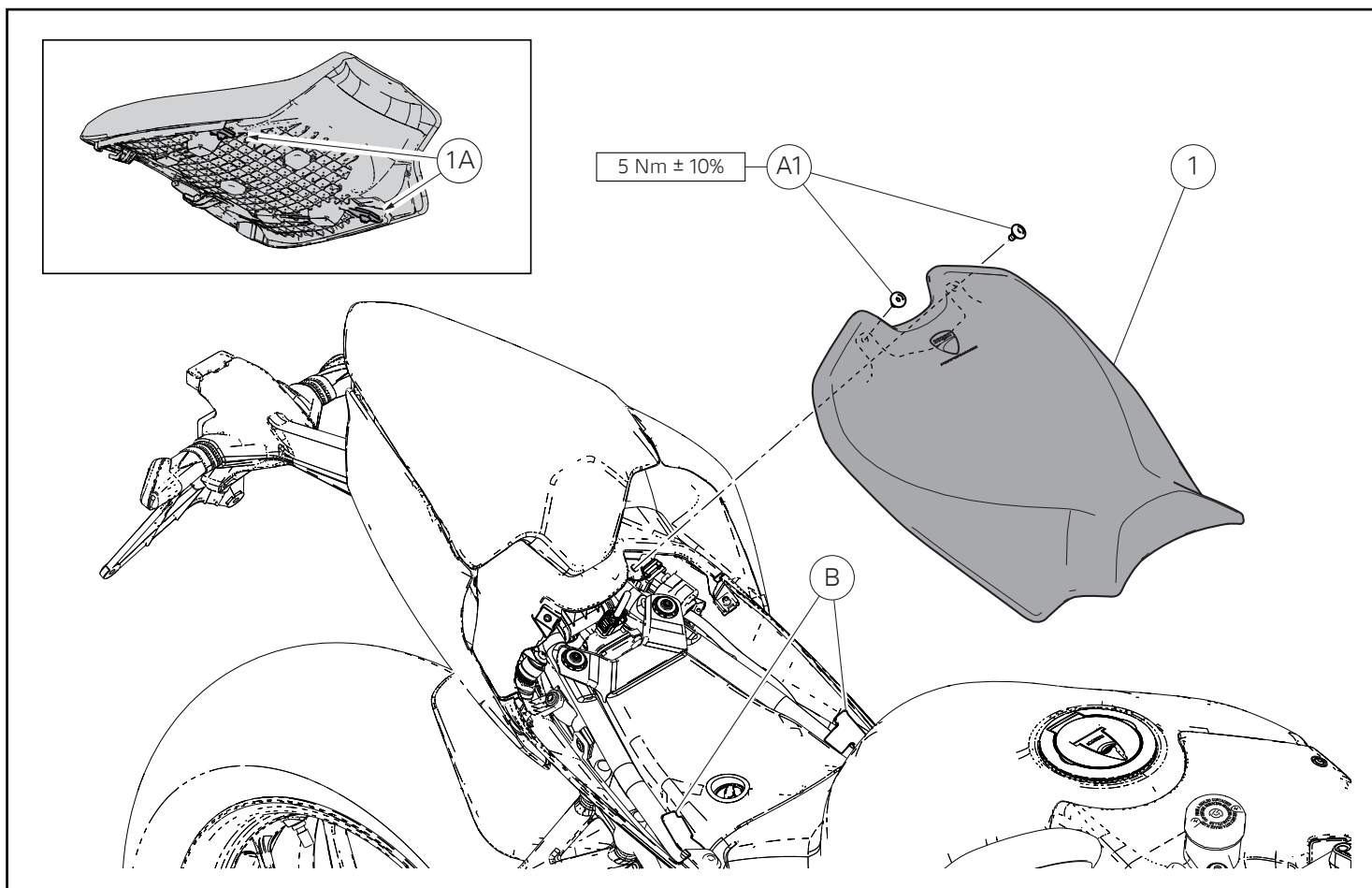
### Removing the original components

#### Smontaggio sella pilota

Sollevare i n.2 lembi posteriori della sella pilota (A) e svitare le n.2 viti (A1). Rimuovere la sella pilota (A).

#### Removing the rider seat

Lift the 2 rear edges of the rider seat (A) and loosen the 2 screws (A1). Remove the rider seat (A).



## Montaggio componenti kit

### ● Importante

Verificare, prima del montaggio, che tutti i componenti risultino puliti e in perfetto stato. Adottare tutte le precauzioni necessarie per evitare di danneggiare qualsiasi parte nella quale ci si trova ad operare.

## Montaggio sella pilota

Montare sulla moto la sella pilota (1) inserendo, sul lato anteriore, le due cavità (1A) sulle due staffe (B) del telaio posteriore come mostrato in figura. Sollevare i lembi posteriori della sella pilota (1) e fissarla impuntando le n.2 viti originali (A1). Serrare le n.2 viti (A1) alla coppia indicata.

### ⚠ Attenzione

È assolutamente vietato lavare la sella con detergenti aggressivi, solventi o idropulitrice che la danneggerebbero irrimediabilmente.

### ⚠ Attenzione

È assolutamente vietato strisciare energicamente la superficie esterna della sella con strumenti abrasivi che la danneggerebbero irrimediabilmente.

## Assembling the kit components

### ● Important

Before assembling, check that all parts are clean and in good conditions. Adopt all necessary precautions to avoid damaging any part you are working on.

## Rider seat assembly

Mount the rider seat (1) on the motorcycle by fitting, on the front side, the two grooves (1A) on the two brackets (B) of the rear subframe, as shown in the figure. Lift the rear edges of the rider seat (1) and secure it by starting the 2 original screws (A1). Tighten the no.2 screws (A1) to the specified torque.

### ⚠ Warning

It is strictly forbidden to wash the seat with aggressive detergents, solvents or with a power jet cleaner that would irreparably damage it.

### ⚠ Warning

It is strictly forbidden to rub the external surface of the seat with abrasive tools that irreparably would damage it.

**Kit selle confort pilote -****Kit selle racing pilote - Kit selle basse pilote - 96880851AA - 96880861AA - 96880871AA****Kit Komfort Fahrersitzbank - Kit Racing-Fahrersitzbank - Kit niedrige Fahrersitzbank - 96880851AA - 96880861AA - 96880871AA****Symboles**

Pour une lecture rapide et rationnelle on a utilisé des symboles de mise en évidence de situations demandant une attention maximale, des conseils pratiques ou de simples informations. Faire très attention à la signification des symboles, car leur fonction vise à ne pas répéter les principes techniques ou les mises en garde de sécurité. Ils doivent être pris en compte en tant que véritables « mémorandum ». Consulter cette page en cas de doutes concernant leur signification.

**Attention**

L'inobservation des instructions reportées peut déterminer une situation de danger et causer de graves lésions personnelles, voire même la mort.

**Important**

Indique la possibilité d'endommager le motorcycle et/ou ses composants si les instructions reportées ne sont pas effectuées.

**Remarques**

Il fournit des informations utiles pour l'opération en cours.

**Références**

Les pièces surlignées en gris et la référence numérique (Ex. ①) représentent l'accessoire à installer et les composants éventuels de montage fournis en kit.

Les pièces avec référence alphabétique (Ex. (A)) représentent les composants d'origine présents sur le motorcycle.

Toutes les indications à droite ou à gauche se rapportent au sens de marche du motorcycle.

**Avertissements généraux****Attention**

Les opérations décrites dans les pages suivantes doivent être effectuées par un technicien spécialisé ou par un centre service agréé Ducati.

**Attention**

Les opérations indiquées dans les pages suivantes, au cas où elles ne seraient pas effectuées selon les règles de l'art pourraient compromettre la sécurité du pilote.

**Remarques**

La documentation nécessaire pour la pose du kit est le Manuel d'Atelier relatif au modèle de moto en votre possession.

**Remarques**

Au cas où il serait nécessaire d'effectuer le remplacement d'un composant du kit, il faudra consulter la planche relative aux pièces détachées ci-jointe.

**Symbole**

Für ein schnelles und zweckmäßiges Lesen dieser Anleitung wurden Symbole verwendet, die Situationen, die höchste Aufmerksamkeit erfordern sowie praktische Ratschläge oder einfache Informationen hervorzuheben. Achten Sie besonders auf die Bedeutung dieser Symbole, da sie den Zweck haben, technische Konzepte oder Sicherheitswarnhinweise nicht wiederholen zu müssen. Sie sind also als echte und wahrhaftige „Merkzettel“ zu berücksichtigen. Nehmen Sie jedes Mal auf diese Seite Bezug, wenn Sie Zweifel über deren Bedeutung haben.

**Achtung**

Die Nichtbeachtung der angegebenen Anweisungen kann zu einer Gefahrensituation führen und schwere persönliche Verletzungen verursachen oder gar zum Tod führen.

**Wichtig**

Weist auf eine mögliche Beschädigung des Fahrzeugs und/oder seiner Bestandteile hin, wenn die angegebenen Anweisungen nicht befolgt werden.

**Hinweise**

Übermittelt nützliche Informationen zum jeweiligen Verfahren.

**Bezüge**

Bei den grau gekennzeichneten Bestandteilen mit numerischem Bezug (Bsp. ①) handelt es sich um die zu installierenden Teile und die eventuellen, im Kit enthaltenen Montagekomponenten.

Bei den Bestandteilen mit alphabetischem Bezug (Bsp. (A)) handelt es sich um die am Motorrad vorhandenen Original-Komponenten.

Alle Angaben wie rechts oder links beziehen sich auf die Fahrtrichtung des Motorrads.

**Allgemeine Warnhinweise****Achtung**

Die auf den folgenden Seiten beschriebenen Arbeitsmaßnahmen müssen von einem Fachtechniker oder einer Ducati Vertragswerkstatt ausgeführt werden.

**Achtung**

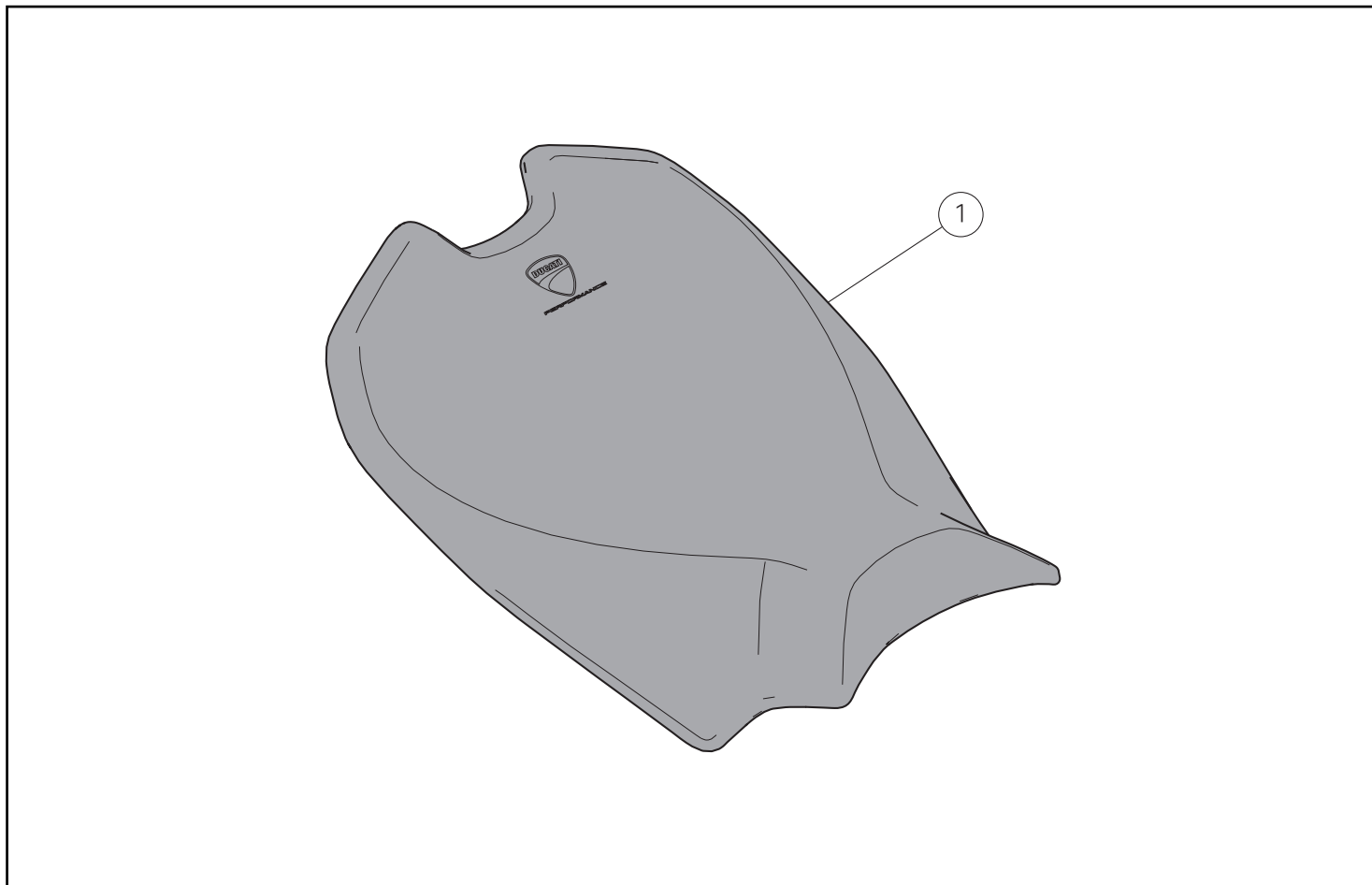
Werden die auf den folgenden Seiten beschriebenen Arbeitsmaßnahmen nicht fachgerecht ausgeführt, kann sich dies auf die Sicherheit des Fahrers auswirken.

**Hinweise**

Die für die Montage des Kits erforderliche Dokumentation ist das Werkstatthandbuch des sich in Ihrem Besitz befindlichen Motorradmodells.

**Hinweise**

Sollte sich der Austausch eines Bestandteils des Kits als erforderlich erweisen, ist dazu Bezug auf die beiliegende Ersatzteilliste zu nehmen.



### ● Important

Les composants du kit peuvent être soumis à des mises à jour ; veuillez consulter le DCS (Dealer Communication System) pour des informations toujours actualisées.

### 👁 Remarques

Les procédures de pose des trois types de selle sont égales, par conséquent l'illustration en reporte une seule.

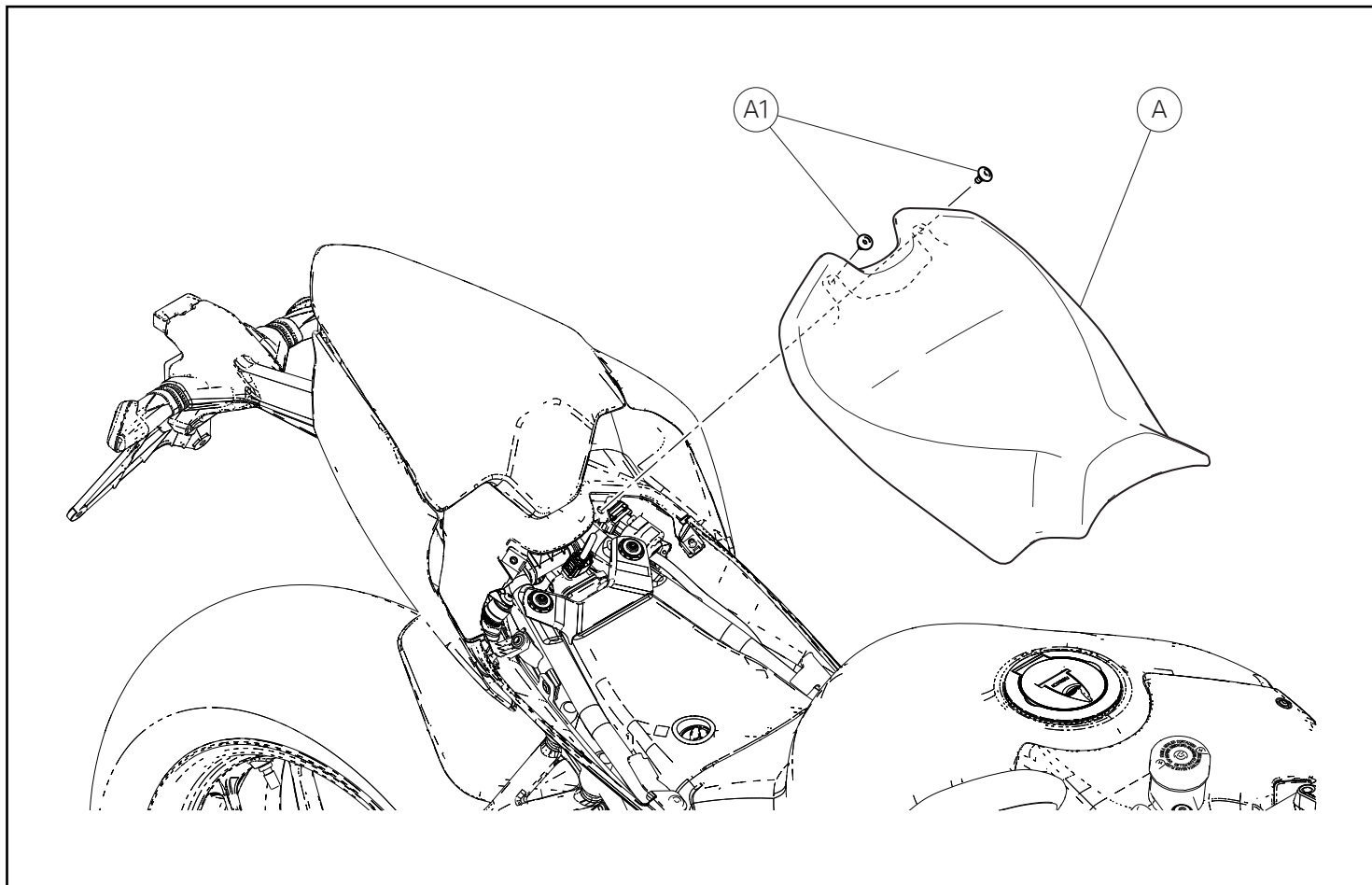
### ● Wichtig

Die Bestandteile des Kits können Aktualisierungen unterliegen. Lesen Sie stets die Angaben im DCS (Dealer Communication System), um Informationen zur Verfügung stehen zu haben, die immer auf dem aktuellen Stand sind.

### 👁 Hinweise

Die Montagevorgänge sind identisch für alle drei Sitzbanktypen, daher wird nur einer dargestellt.

Pos.	Dénomination	Bezeichnung
1	Selle pilote	Fahrsitzbank



## Dépose des composants d'origine

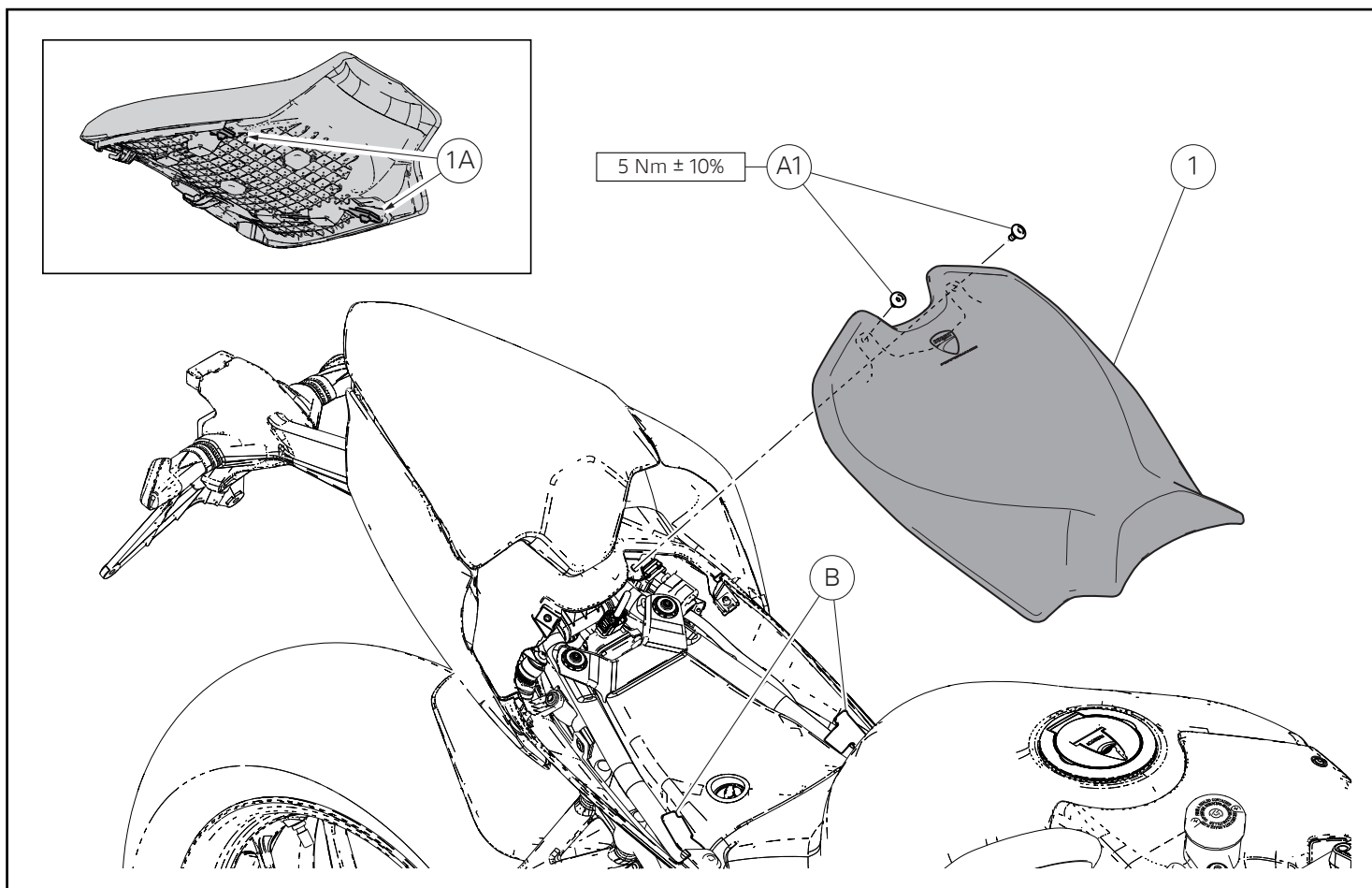
### Dépose selle pilote

Soulever les 2 bords arrière de la selle pilote (A) et desserrer les 2 vis (A1). Déposer la selle pilote (A).

## Abnahme der Original-Bestandteile

### Abnahme der Fahrersitzbank

Die 2 hinteren Laschen der Fahrersitzbank (A) anheben und die 2 Schrauben (A1) lösen. Die Fahrersitzbank (A) entfernen.



## Pose des composants kit

### ● Important

Avant la pose, vérifier que tous les composants sont propres et en bon état. Prendre toutes les précautions nécessaires pour éviter d'endommager toute partie dans laquelle on intervient.

### Pose selle pilote

Poser la selle pilote (1) sur la moto en insérant, du côté avant, les deux cavités (1A) sur les deux brides (B) du sous-cadre arrière comme la figure le montre. Soulever les bords arrière de la selle pilote (1) et la fixer en présentant les 2 vis d'origine (A1). Serrer les 2 vis (A1) au couple prescrit.

### ⚠ Attention

Il est absolument interdit de laver la selle avec des détergents agressifs, des solvants ou des laveuses à vapeur ce qui pourrait provoquer des dommages irréparables.

### ⚠ Attention

Il est absolument interdit de frotter énergiquement la surface extérieure de la selle avec des instruments abrasifs ce qui pourrait provoquer des dommages irréparables.

## Montage der Kit-Bestandteile

### ● Wichtig

Vor der Montage überprüfen, dass alle Bestandteile sauber sind und sich im perfekten Zustand befinden. Alle erforderlichen Vorichtsmaßnahmen treffen, um eine Beschädigung des jeweiligen Bereichs, in den man arbeitet, zu vermeiden.

### Montage der Fahrersitzbank

Die Fahrersitzbank (1) am Motorrad montieren, dazu an der Vorderseite die beiden Aussparungen (1A) wie abgebildet auf die beiden Bügel (B) des Heckrahmens fügen. Die hinteren Laschen der Fahrersitzbank (1) anheben und durch Ansetzen der 2 Original-Schrauben (A1) fixieren. Die 2 Schrauben (A1) mit dem angegebenen Anzugmoment anziehen.

### ⚠ Achtung

Es ist strikt verboten, die Sitzbank mit aggressiven Reinigungsmitteln, Lösungsmitteln oder Hochdruckreinigern zu waschen, die sie irreparabel beschädigen würden.

### ⚠ Achtung

Es ist strikt verboten, die Außenseite der Sitzbank kräftig mit scheuernden Mitteln/Vorrichtungen, die sie irreparabel beschädigen würden, abzureiben.



**Conjunto assento conforto para condutor - Conjunto assento racing para condutor -**

Conjunto assento baixo para condutor - 96880851AA - 96880861AA - 96880871AA

Rider comfort seat kit -

Rider racing seat kit - Rider lowered seat kit - 96880851AA - 96880861AA - 96880871AA

**Símbolos**

Para uma leitura rápida e racional foram empregues símbolos que evidenciam situações de máxima atenção, conselhos práticos ou simples informações. Preste muita atenção ao significado dos símbolos, porque a sua função é não ter de repetir conceitos técnicos ou avisos de segurança. Portanto, devem ser considerados verdadeiros "lembretes". Consulte esta página sempre que surgirem dúvidas sobre o seu significado.

**Atenção**

O não cumprimento das instruções fornecidas pode criar uma situação de perigo e causar graves lesões pessoais e até mesmo a morte.

**Importante**

Indica a possibilidade de provocar danos no veículo e/ou aos seus componentes se as instruções fornecidas não forem executadas.

**Notas**

Fornecer informações úteis sobre a operação em andamento.

**Referências**

As peças assinaladas a cinzento e a referência numérica (Ex. ①) representam o acessório a instalar e os eventuais componentes de montagem fornecidos no conjunto.

As peças com referência alfabética (Ex. (A)) representam os componentes originais presentes na moto.

Todas as indicações direito ou esquerdo referem-se ao sentido de avanço da moto.

**Advertências gerais****Atenção**

As operações mostradas nas páginas a seguir devem ser executadas por um técnico especializado ou por uma oficina autorizada Ducati.

**Atenção**

As operações mostradas nas páginas a seguir, se não forem executadas com boa técnica, podem prejudicar a segurança do condutor.

**Notas**

A documentação necessária para executar a montagem do Conjunto é o Manual de Oficina, relativo ao modelo de moto em sua posse.

**Notas**

Caso seja necessária a substituição de um componente do conjunto, consulte a figura de peças de reposição em anexo.

**Symbols**

The symbols used in this manual are aimed at making reading direct and easy. The symbols are used either to draw the reader's attention on potentially hazardous conditions, or to give practical advice or to supply general information. Pay the utmost attention to these symbols as they are used to remind of technical principles or safety measures which will not be repeated extensively. They must therefore be considered as "reminders". Check with this page in case of doubt about their meaning.

**Warning**

Failure to comply with these instructions may put you at risk and lead to severe injury or death.

**Important**

It indicates the possibility of damaging the motorcycle and/or its components if the instructions are not followed.

**Notes**

It supplies useful information about the operation in progress.

**References**

The parts highlighted in grey and with a reference number (e.g. ①) represent the accessory to be installed and any assembly components supplied with the kit.

The parts with alphabetic reference (e.g. (A)) represent the original components present on the motorcycle.

All left and right indications are referred to the motorcycle direction of travel (forward riding position).

**General notes****Warning**

The operations listed in the following pages must be carried out by a specialised technician or by a Ducati authorised service centre.

**Warning**

Carefully perform the operations on the following pages since they might negatively affect rider safety.

**Notes**

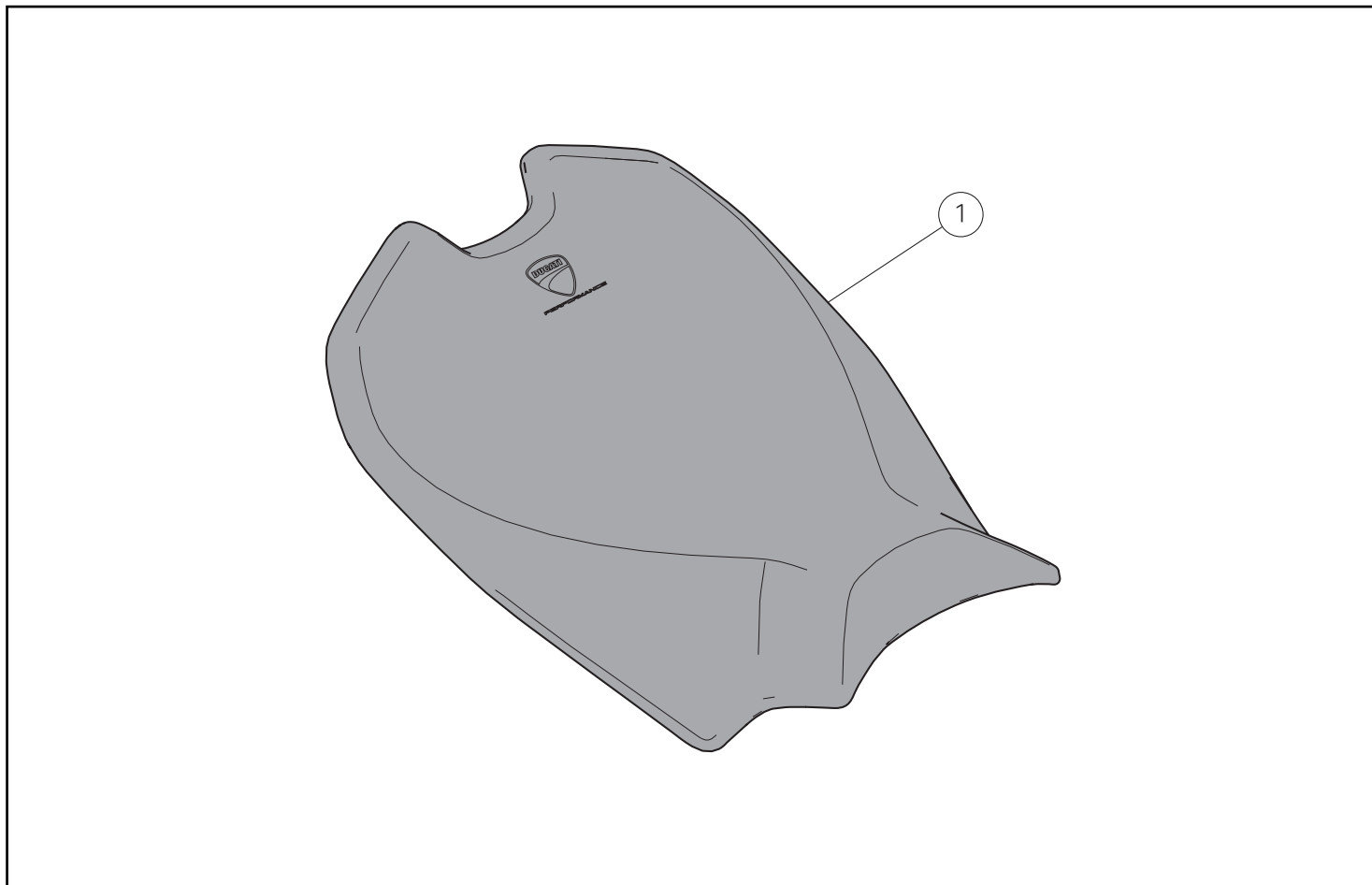
The Workshop Manual of your motorcycle model is the documentation required to assemble the Kit.

**Notes**

Should it be necessary to change any kit parts, please refer to the attached spare part table.

**Warning**

Operating, servicing and maintaining a passenger vehicle or off-highway motor vehicle can expose you to chemicals including engine exhaust, carbon monoxide, phthalates, and lead, which are known to the State of California to cause cancer and birth defects or other reproductive harm. To minimize exposure, avoid breathing exhaust, do not idle the engine except as necessary, service your vehicle in a well-ventilated area and wear gloves or wash your hands frequently when servicing your vehicle. For more information go to [www.P65Warnings.ca.gov/passenger-vehicle](http://www.P65Warnings.ca.gov/passenger-vehicle).



### ● Importante

Os componentes do conjunto podem sofrer atualizações; consulte o DCS (Dealer Communication System) a fim de obter informações sempre atualizadas.

### 👁 Notas

Os procedimentos de montagem dos três tipos de assento são idênticos; portanto, só é representado um.

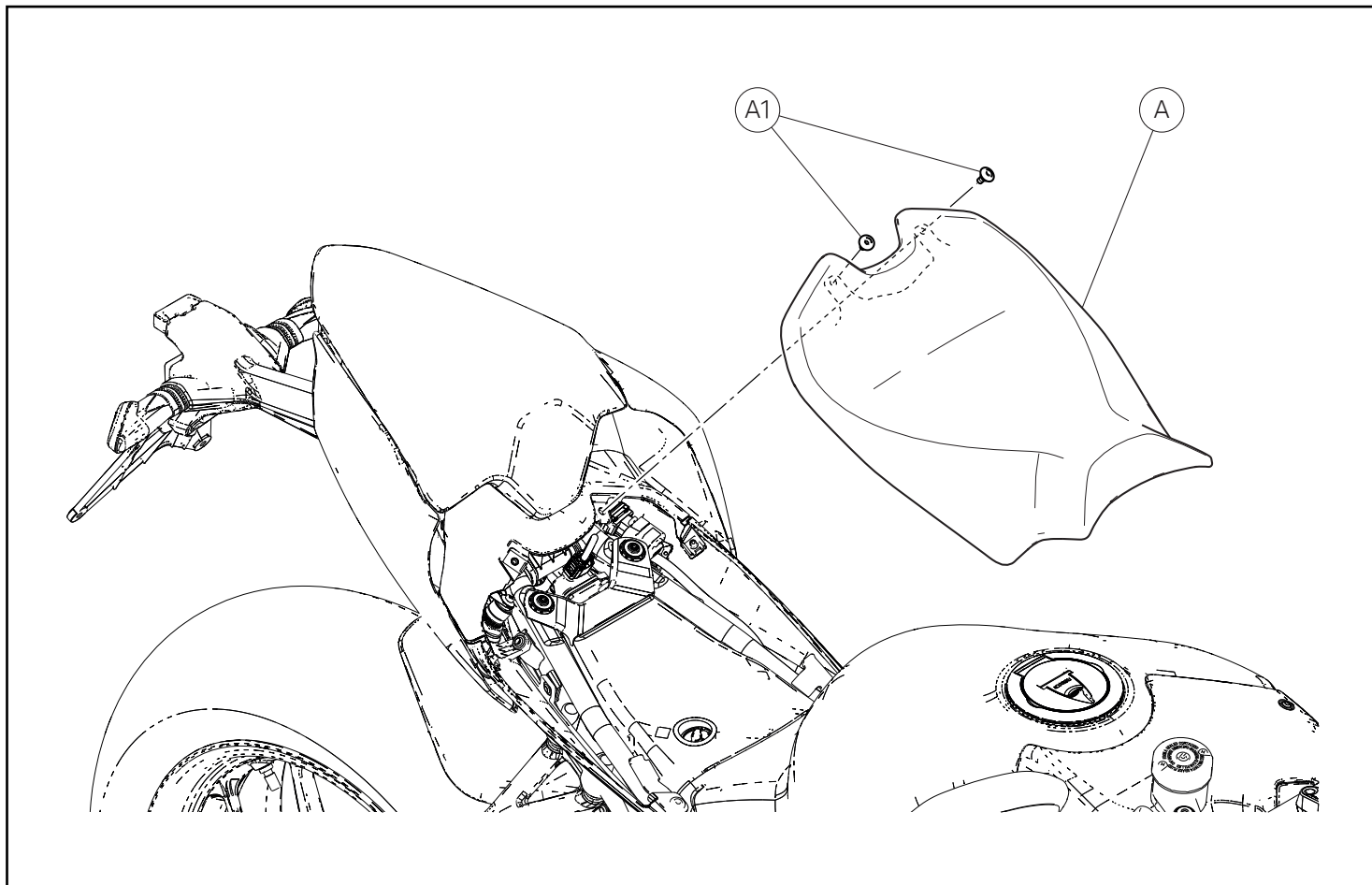
### ● Important

The parts of the kit can be updated; for information always up to date, please refer to DCS (Dealer Communication System).

### 👁 Notes

The assembly procedures for the three types of seat are the same; hence, only one is represented.

Pos.	Denominação	Name
1	Assento do condutor	Rider seat



### Desmontagem dos componentes originais

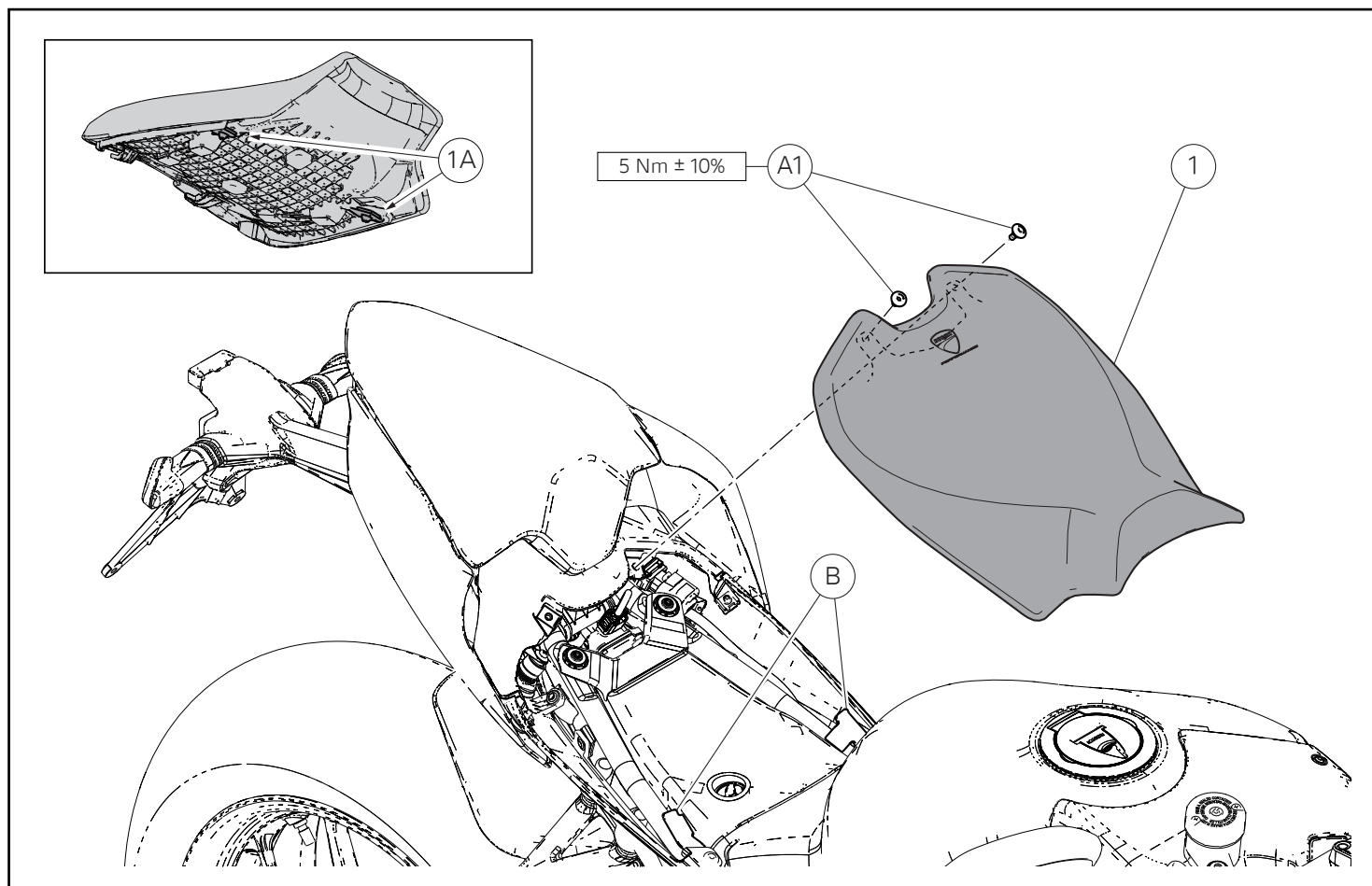
### Removing the original components

#### Desmontagem do assento do condutor

#### Removing the rider seat

Levante as 2 abas traseiras do assento do condutor (A) e desatarraxe os 2 parafusos (A1). Remova o assento do condutor (A).

Lift the 2 rear edges of the rider seat (A) and loosen the 2 screws (A1). Remove the rider seat (A).



## Montagem dos componentes do conjunto

### ● Importante

Verifique, antes da montagem, se todos os componentes estão limpos e em perfeito estado. Adote todas as precauções necessárias para evitar danificar qualquer peça com a qual deve trabalhar.

### Montagem do assento do condutor

Monte o assento do condutor (1) na moto inserindo, no lado dianteiro, as duas cavidades (1A) nas duas braçadeiras (B) do subchassi traseiro como mostrado na figura. Levante as abas traseiras do assento do condutor (1) e fixe-o encostando os 2 parafusos originais (A1). Aperte os 2 parafusos (A1) com o binário indicado.

### ⚠ Atenção

É absolutamente proibido lavar o assento com detergentes agressivos, solventes ou lavadora de alta pressão que podem danificá-lo irreparavelmente.

### ⚠ Atenção

É absolutamente proibido passar com força instrumentos abrasivos sobre a superfície externa do assento, pois podem danificá-lo.

## Assembling the kit components

### ● Important

Before assembling, check that all parts are clean and in good conditions. Adopt all necessary precautions to avoid damaging any part you are working on.

### Rider seat assembly

Mount the rider seat (1) on the motorcycle by fitting, on the front side, the two grooves (1A) on the two brackets (B) of the rear subframe, as shown in the figure. Lift the rear edges of the rider seat (1) and secure it by starting the 2 original screws (A1). Tighten the no.2 screws (A1) to the specified torque.

### ⚠ Warning

It is strictly forbidden to wash the seat with aggressive detergents, solvents or with a power jet cleaner that would irreparably damage it.

### ⚠ Warning

It is strictly forbidden to rub the external surface of the seat with abrasive tools that irreparably would damage it.

**Kit asiento confort piloto - Kit asiento racing piloto -****Kit asiento bajo piloto - 96880851AA - 96880861AA - 96880871AA****コンフォートライダーシートキット - レーシングライダーシートキット -****ローポジションライダーシートキット - 96880851AA - 96880861AA - 96880871AA****Símbolos**

Para que la lectura resulte más rápida y racional, se han utilizado símbolos que evidencian situaciones de máxima atención, consejos prácticos o simples informaciones. Prestar mucha atención al significado de los símbolos, porque su función es la de sustituir conceptos técnicos o advertencias de seguridad que no serán repetidos. Por lo tanto, deben considerarse verdaderos "recordatorios". Consultar siempre esta página en caso de dudas sobre su significado.

**Atención**

La inobservancia de las instrucciones puede originar situaciones de peligro y lesiones graves o mortales.

**Importante**

Indica la posibilidad de dañar el vehículo y/o sus componentes si no se observan las instrucciones.

**Notas**

Suministra información útil sobre la operación en curso.

**Referencias**

Las partes resaltadas en gris y la referencia numérica (Por ej. ①) representan el accesorio que se debe instalar y los demás componentes de montaje suministrados en el kit.

Los detalles con referencia alfabética (p. ej. (A)) representan los componentes originales presentes en la motocicleta.

Todas las indicaciones derecho o izquierdo se refieren al sentido de marcha de la motocicleta.

**Advertencias generales****Atención**

Las operaciones indicadas en las páginas siguientes deben realizarlas un técnico especializado o un taller autorizado Ducati.

**Atención**

Las operaciones descritas en las siguientes páginas deben realizarse correctamente para no perjudicar la seguridad del piloto.

**Notas**

El documento necesario para realizar el montaje del Kit es el Manual de Taller del modelo de moto que poseen.

**Notas**

Si fuera necesario sustituir un componente del kit, consultar la tabla de recambios adjunta.

**シンボル**

素早くかつ合理的に読み進めることができるように、本マニュアルではいくつかのシンボルを導入し、最大限の注意を払う必要がある状況や、推奨事項、または一般情報を明確にしてあります。技術的概念や安全に関する警告を繰り返し記載する必要がないように機能しているので、各シンボルの意味に十分注意してください。シンボルは、実際上の“覚え書き”であると考えてください。シンボルなどの意味がわからなくなったり疑問に思う場合は、必ずこのページで調べるようにしてください。

**警告**

この説明を遵守しなかった場合、重度の負傷および死亡に至る危険性があります。

**重要**

記載されている内容が遵守されない場合、車両および車両部品を損傷するおそれがあることを示しています。

**参考**

実施中の作業について役に立つ情報を提供します。

**詳細**

灰色で表示する部品、および参照番号（例 ①）で表示する部品は、キットに付属する取り付け部品および組み立て部品を示します。

参照アルファベット（Es. (A)）で表示する部品は、車両に付属するオリジナル部品を示します。

右または左という表記は、すべて車両の進行方向に向かっての左右を意味します。

**一般警告事項****警告**

以下のページに記載されている作業は、専門の技術者、またはドゥカティ正規サービスセンターが実施しなければなりません。

**警告**

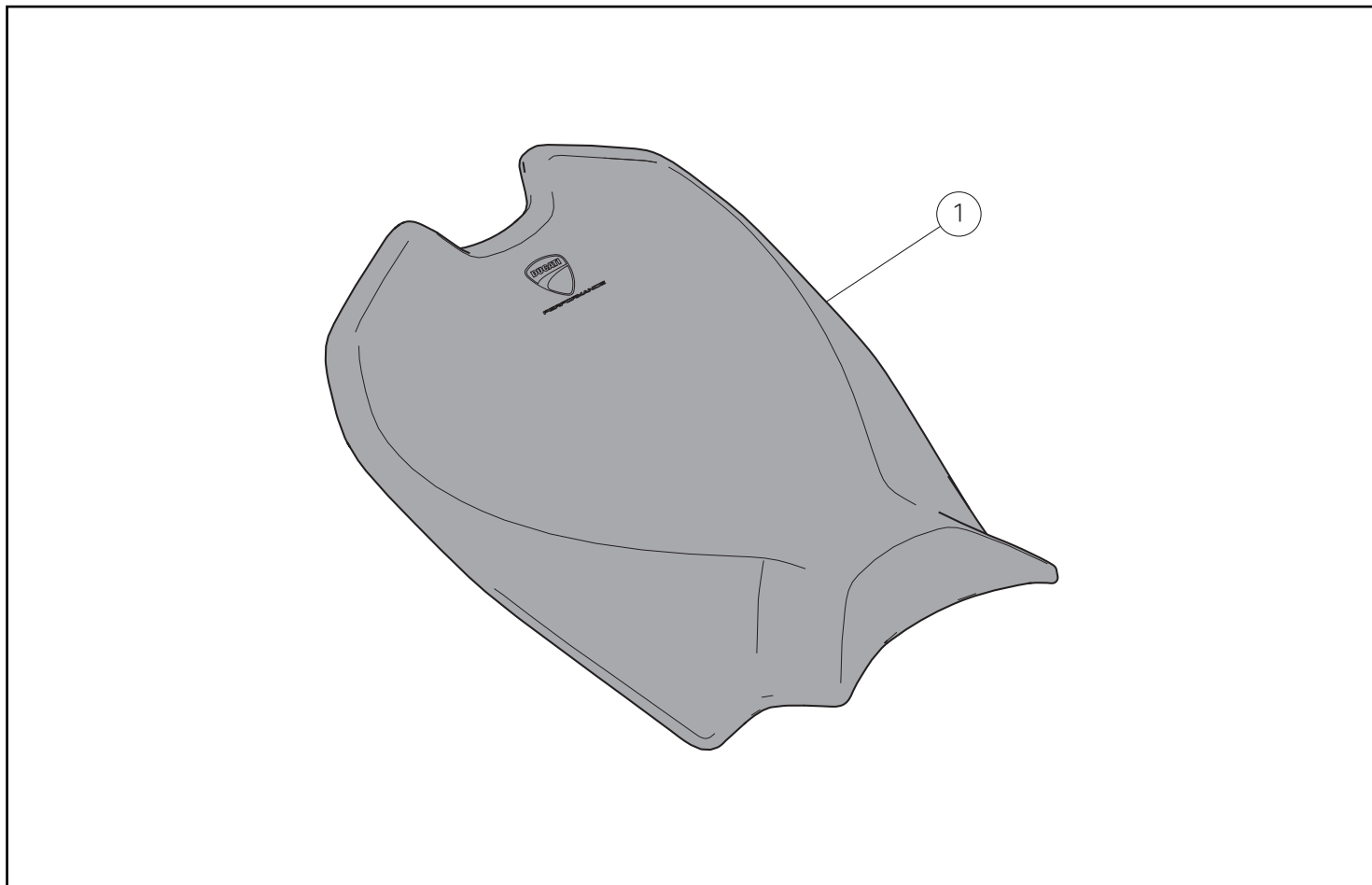
以下のページに記載されている作業が規定通りに実施されない場合、ライダーの安全性を脅かすおそれがあります。

**参考**

キットの取り付けに必要な資料は、お手持ちの車両モデルに対応するワークショップマニュアルです。

**参考**

キットの部品を交換する必要がある場合は、添付のスペアパーツ表を参照してください。



### ● Importante

Es posible que los componentes del kit sean actualizados; consultar el DCS (Dealer Communication System) para tener información siempre al día.

### 👁️ Notas

Los procedimientos de montaje de los tres tipos de asiento son idénticos, por lo tanto, se representa solo uno de ellos.

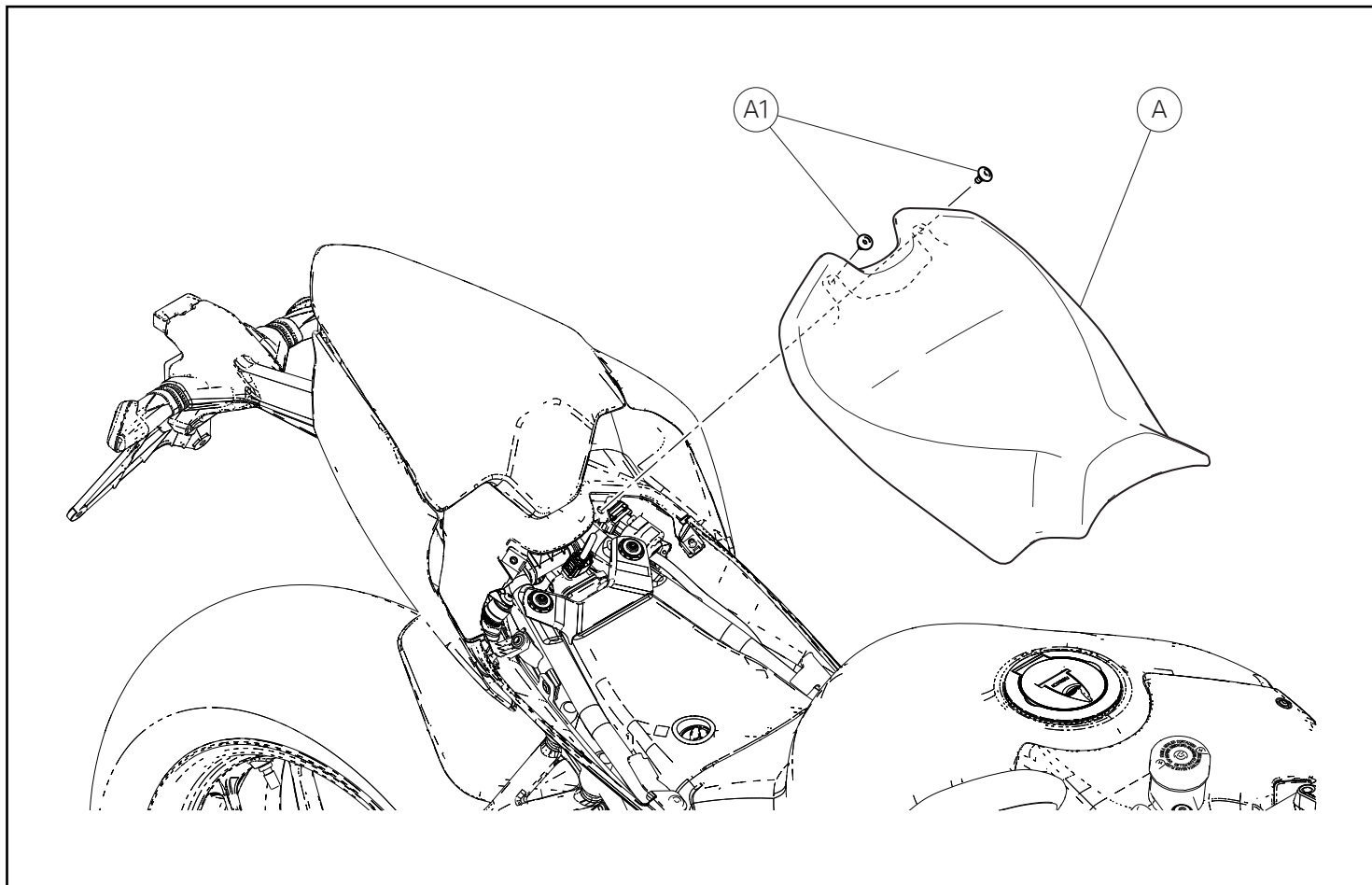
### ● 重要

キットの構成部品は更新されることがあります。DCS (Dealer Communication System) から常に最新の情報をチェックするようにしてください。

### 👁️ 参考

キットの取り付け手順は、3 種のタイプのシートに共通です。従って、1 つのシートでのみ記載されています。

Pos.	Denominación	名称
1	Asiento piloto	ライダーシート



## Desmontaje componentes originales

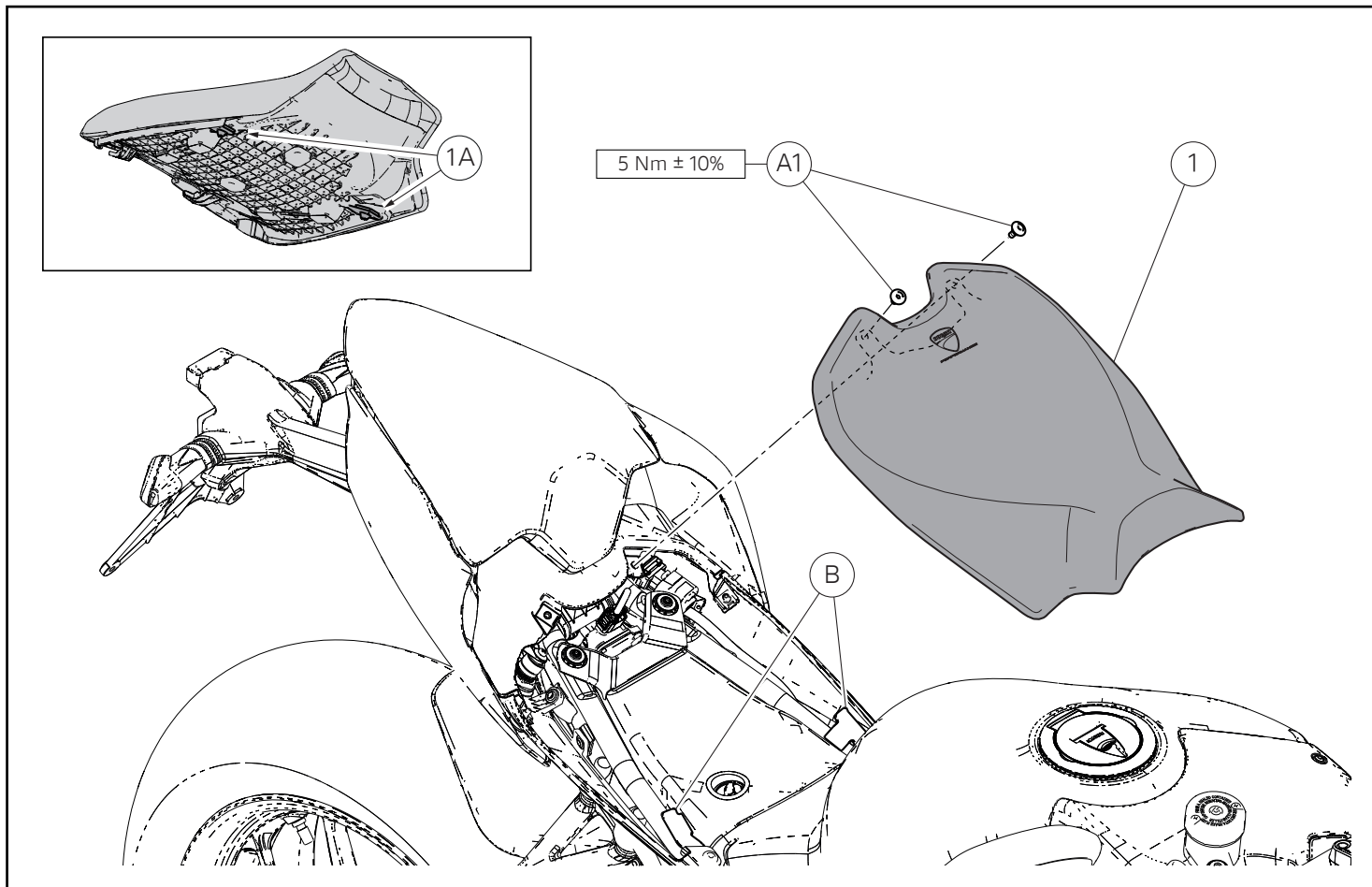
### Desmontaje asiento piloto

Levantar los 2 bordes traseros del asiento piloto (A) y desatornillar los 2 tornillos (A1). Quitar el asiento piloto (A).

## オリジナル構成部品の取り外し

### ライダーシートの取り外し

ライダーシート (A) 後部の 2 つの縁を持ち上げて、2 本のスクリュー (A1) を緩めて外します。ライダーシート (A) を取り外します。



## Montaje componentes kit

### ● Importante

Antes del montaje, comprobar que todos los componentes se encuentren limpios y en perfecto estado. Adoptar todas las precauciones necesarias para evitar dañar cualquier parte en la que se debe operar.

## Montaje asiento piloto

Montar en la moto el asiento piloto (1) introduciendo, en el lado delantero, las dos cavidades (1A) en los dos sostenes (B) del subchasis trasero, como ilustra la figura. Levantar los bordes traseros del asiento piloto (1) y fijarlo introduciendo los 2 tornillos originales (A1). Ajustar los 2 tornillos (A1) al par de apriete indicado.

### ⚠ Atención

Esta absolutamente prohibido lavar el asiento con detergentes agresivos, disolventes o hidrolimpiadora que lo dañarían irremediablemente.

### ⚠ Atención

Está absolutamente prohibido rozar enérgicamente la superficie exterior del asiento con instrumentos abrasivos que lo dañarían irremediablemente.

## キット部品の取り付け

### ● 重要

取り付けの前に全ての部品に汚れがなく、完璧な状態であることを確認してください。作業中の部品の損傷を防ぐために、必要な予防措置をすべて講じてください。

## ライダーシートの取り付け

図に示すように前方の 2 つの溝 (1A) をリアサブフレームの 2 つのブラケット (B) に挿入して、車両にライダーシート (1) を取り付けます。ライダーシート (1) 後部の縁を持ち上げ、2 本のオリジナルスクリュー (A1) を差し込みシートを固定します。2 本のスクリュー (A1) を規定のトルクで締め付けます。

### ⚠ 警告

シートの洗浄に強力な洗剤や溶剤、また洗浄機を使用すると修復できない損傷を与えますので、絶対に使用しないでください。

### ⚠ 警告

シートの外側表面を絶対に研磨材入りの素材や表面がざらついた素材で力を入れすぎて強く擦らないでください。修復できない損傷を与えることとなります。



# レース専用部品 ご注文書

## ご注文商品

1	P/N	商品名
2	P/N	商品名
3	P/N	商品名
4	P/N	商品名
5	P/N	商品名

## お客様ご記入欄

私は上記レース専用部品を下記車両に装着し、サーキット走行のみに利用し、一般公道には利用しません。

車台番号 ZDM	モデル名
お客様署名	ご注文日

## ドウカティ正規ネットワーク店記入欄

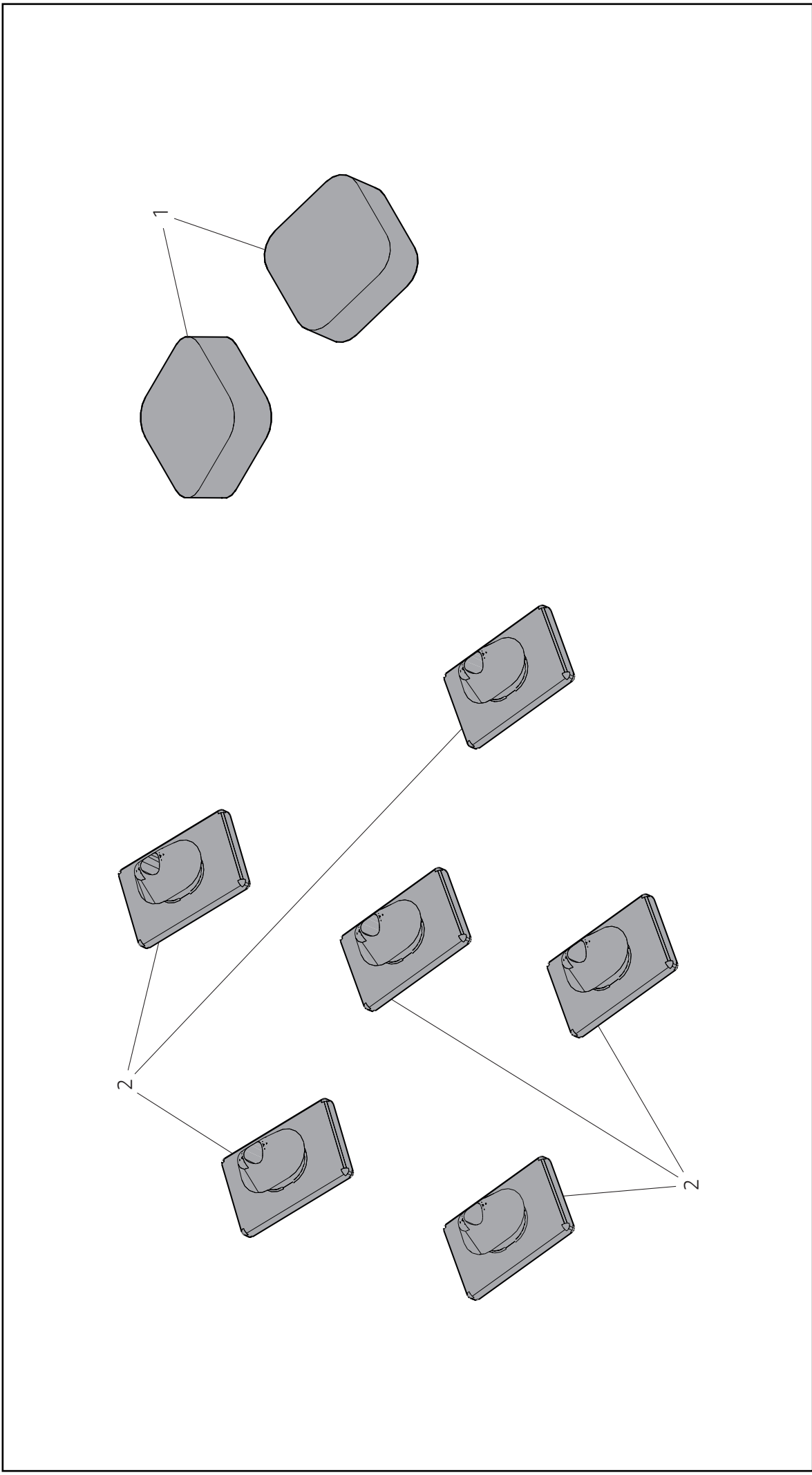
お客様に上記レース専用部品を販売し、レース専用部品のご利用方法を説明いたしました。

販売店署名	販売日	年	月	日
-------	-----	---	---	---

販売店様へお願い

- 上記ご記入の上、弊社アフターセールス部までFAXしてください。FAX : 03 - 6692 - 1317
- 取り付け車両 1台に 1枚でご使用ください。

Kit sella comfort pilota - Kit sella racing pilota - Kit sella bassa pilota / Rider comfort seat kit - Rider racing seat kit - Rider lowered seat kit / Kit selle confort pilote - Kit selle racing pilote - Kit selle basse pilote / Kit Komfort Fahrersitzbank - Kit Racing-Fahrersitzbank - Kit niedrige Fahrersitzbank / Conjunto assento conforto para condutor - Conjunto assento racing para condutor - Conjunto assento baixo para condutor / Kit asiento confort piloto - Kit asiento racing piloto - Kit asiento bajo piloto / コンフォートライダーシートキット - レーシンググライダーシートキット - ローポジションライダーシートキット / - 96880851AA - 96880861AA - 96880871AA



Pos.	Art.-Nr.	Denominazione	Name	Dénomination	Bezeichnung	Denominação	Denominación	名称	Q.ty
1	86612441AA	Tampone in gomma	Rubber buffer	Tampon en caoutchouc	Gummistopfen	Tampão de borracha	Tapón de goma	ラバーバッファアー	2
2	86610301A	Tampone	Buffer	Tampon	Stopfen	Tampão	Tope	パッド	6